



Angular contact ball bearings, single row



Angular contact ball bearings, single row

Single row angular contact ball bearings are manufactured in various constructive versions, with various contact angles, depending on the application. Bearings series 72B and 73B for general applications have a contact angle $\alpha = 40^\circ$. Bearings series 718, 719, 70 and 72 generally used

for tool-holders, have phenol resins (textolite) cages or machined brass cages. Those with bore diameters up to $d = 100$ mm are manufactured to tolerance classes P5, P4 and P2 and have a contact angle of 15° (C) and 25° (A) respectively.



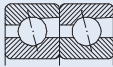
Series 72B, 73B
Contact angle $\alpha = 40^\circ$



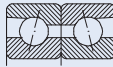
Series 70A, 72A
Contact angle $\alpha = 25^\circ$



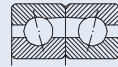
Series 70C, 72C
Contact angle $\alpha = 15^\circ$



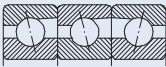
DT arrangement
(Tandem)



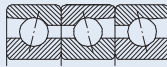
DB arrangement
(Back-to-back)



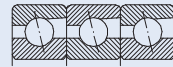
DF arrangement
(Face-to-face)



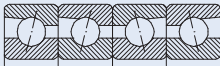
TFT arrangement



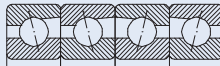
TBT arrangement



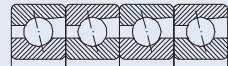
TT arrangement



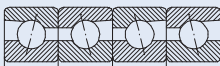
QBC arrangement



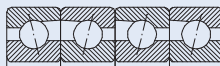
QFC arrangement



QT arrangement



QBT arrangement



QFT arrangement

Suffixes

A	- bearing with extended outer ring
A	- bearing with contact angle $\alpha = 25^\circ$
B	- bearing with extended outer ring
B	- bearing with contact angle $\alpha = 40^\circ$
BB	- bearing with $\alpha = 40^\circ$ and extended inner ring
C	- bearing with contact angle $\alpha = 15^\circ$
CA	- bearing with radial clearance smaller than normal
CB	- bearing with normal radial clearance
CC	- radial bearing with axial clearance larger than normal
D	- two bearings set
D	- bearing with two-pieces inner ring
DB	- two bearings set in back-to-back arrangement, (O)
DF	- two bearings set in face-to-face arrangement, (X)
DT	- two bearings set in tandem arrangement
E	- bearing with contact angle $\alpha = 20^\circ$
FA	- bearing with machined cage of steel or cast iron, guided in the outer ring
FB	- bearing with machined cage of steel or cast iron guided on the inner ring
GA	- light preload, bearings series 72B, 73B
GB	- moderate preload, bearings series 72B, 73B
GC	- heavy preload, bearings series 72B, 73B
L	- light preload, bearings series 70C, 70A, 72A
M	- moderate preload, bearings series 70C, 70A, 72A
M	- machined brass cage, ball guided
MA	- machined brass cage, guided in the outer ring
MB	- machined brass cage, guided on the inner ring
O	- bearing set without axial clearance
P0	- normal tolerance class
P6	- tolerance class more accurate than normal
P5	- tolerance class more accurate than P6
P4	- tolerance class more accurate than P5
P2	- tolerance class more accurate than P4
Q	- four bearings set
QBC	- tandem pairs in O arrangement
QBT	- tandem pairs plus O arrangement
QFC	- tandem pairs in X arrangement
QFT	- tandem pairs plus X arrangement
QT	- tandem pairs
S	- heavy preload, bearings series 70C, 70A, 72A
S0	- bearings operating up to a temperature of $+150^\circ\text{C}$
S1	- bearings operating up to a temperature of $+200^\circ\text{C}$
T	- three bearings set
T	- bearing set total width (T168, T200)
TBT	- three bearings set in O arrangement, plus T
TFT	- three bearings set in X arrangement, plus T
TT	- three bearings set in tandem arrangement
TN	- polyamide cage
V	- full complement bearing
U	- bearings of universal design, with deviations of d and D , from table 1 on page 175 and K_i , K_e in P2 class
UA	- bearings with small axial clearance at DB and DF arrangements
UL	- bearings with light preload at DB and DF arrangements
UO	- bearings without small axial clearance at DB and DF arrangements
UP	- tolerance class with deviations of d and D in P4 class and of K_i and K_e in P2 class.

Single row angular contact ball bearings can take only one direction axial loads. When being radially loaded, in bearing occurs an axially acting load which has to be compensated.

For this reason, a bearing or paired bearings are mounted on each shaft end.

Single row angular contact ball bearings with B suffix have a contact angle $\alpha = 40^\circ$ and are suitable in case of heavy loads.

These bearings are not dismountable and their use at relatively high speeds is allowed.

Pair mounting of bearings as shown in figures on page 119 is used when the load carrying capacity of a single bearing is inadequate (tandem arrangement), respectively when axial loads have to be taken in both directions (DB or DF arrangements).

In case of DT tandem arrangement, the contact lines are in parallel. Radial and axial loads are uniformly distributed on both bearings. The bearing pair can take axial loads in only one direction. Therefore, a third bearing should take axial loads in the opposite direction.

In case of DB arrangement, the contact lines diverge towards the bearing axis and form letter "O". Axial loads are taken in both directions, but only by one single bearing for each direction.

DB arrangement is considered to be a relatively stiff arrangement and can also take tilting moments.

The contact lines of DF arrangement converge towards the bearing axis and form letter "X". Axial loads are taken in the same way as in case of DB arrangement, but the arrangement is not so stiff and it is less suitable for taking tilting moments.

Universal design

Single row angular contact ball bearings of universal design are suitable for DB, DF and DT arrangements.

Bearings of universal design are manufactured to more accurate tolerance classes and can be matched if the mounting conditions UA, UO and UL are observed.

The values of clearance or preload are obtained when the shaft is manufactured to tolerance class j5 and the housing bore to tolerance class J6.

Dimensions

Main dimensions of bearings given in tables are in accordance with ISO 15.

Misalignment

In case of single row angular contact ball bearings the conditions regarding the permissible error of alignment of the outer ring relative to the inner ring are as complex as for single row deep groove ball bearings.

When the bearings are paired in DB arrangement, angular misalignments of the outer ring in relation to the inner ring can only be accommodated between the balls and raceways by force, leading to a reduction in bearing life.

Tolerances

Single row angular contact ball bearings of series 72B and 73B, with a contact angle $\alpha = 40^\circ$ (B) are generally manufactured to the normal tolerance class.

At request, they also can be manufactured to normal

tolerance classes P6 and P5.

Single row angular contact ball bearings of high accuracy, series 70C, 72C, 70A and 72A, with a contact angle $\alpha = 15^\circ$ (C) and $\alpha = 25^\circ$ are manufactured to tolerance classes SP, P4, UP and P2.

The deviations of bore diameter, outside diameter and width of high accuracy single row angular contact ball

bearings of universal design (UL) are given in table 1.

In case of single row angular contact ball bearings manufactured and delivered in sets of 2, 3 or 4 bearings, outside and bore diameter should be chosen considering the mean tolerance values, which are given on the package.

Deviations of main dimensions of high accuracy single row angular contact bearings

Deviations in μm

Table 1

Bore d (mm)	$\Delta\text{dmp}, \Delta\text{Dmp}$						ΔBS			
	P4		UP		P2		P2		ΔBS	
over	up to	low	high	low	high	low	high	low	high	
–	18	–3	–1	–3	–1	–2	0	–250	0	
18	30	–3,5	–1,5	–3	–1	–2	0	–250	0	
30	50	–4	–1,5	–3	–1	–2	0	–250	0	
50	80	–5	–2	–3,5	–1,5	–3	–1	–250	0	
80	120	–5,5	–2			–3,5	–1,5	–380	0	

Contact angle

In case of single row angular contact ball bearings, the efforts between rings and rolling elements (contact points of rolling elements/ outer or inner ring) are transmitted at an angle $\alpha (< 90^\circ)$ to a plane perpendicular to the bearing axis.

The value of this angle depends on the magnitude of the raceway radius, rolling element diameter and radial clearance in bearing, when the curvature centres of the raceways in the outer or on the inner ring are in the same plane.

The contact angle α can be calculated and verified in accordance with the specifications on page 118.

Axial clearance - preload

Axial clearance or preload can be obtained only when single row angular contact ball bearing is mounted in the assembly and depends on the location of the second bearing which assures the shaft axial guiding.

Single row angular contact ball bearings series 72B and 73B, paired mounted in DB and DF arrangements are manufactured with normal axial clearance CB, smaller than normal, CA, larger than normal, CC, or with light preload, GA, moderate preload GB, or heavy preload, GC, according to the values given in table 2.

Axial clearance or preload of single row angular contact ball bearings series 72B and 73B, pair mounted in DB or DF arrangements

Table 2

Bore d	Axial clearance						Preload		GB			GC						
	CA		CB		CC		GA		GB			GC						
over	up to	min.	max.	min.	max.	min.	max.	min.	max.	min.	max.	min.	max.	min.	max.	min.	max.	
mm	μm									N	μm	N	μm	μm	μm	μm	N	
–	10	4	12	14	22	22	30	–	–	–	–	–	–	–	–	–	–	
10	18	5	13	15	23	24	32	+4	–4	80	–2	–10	30	330	–8	–16	230	260
18	30	7	15	18	26	32	40	+4	–4	120	–2	–10	40	480	–8	–16	340	970
30	50	9	17	22	30	40	48	+4	–4	160	–2	–10	60	630	–8	–16	450	1280
50	80	11	23	26	38	48	60	+6	–6	380	–3	–15	140	1500	–12	–24	1080	3050
80	120	14	26	32	44	55	67	+6	–6	410	–3	–15	150	1600	–12	–24	1150	3250
120	180	17	29	35	47	62	74	+6	–6	540	–3	–15	200	2150	–12	–24	1500	4300
180	250	21	37	45	61	74	90	+8	–8	940	–4	–20	330	3700	–16	–32	2650	7500
250	315	26	42	52	68	90	106	+8	–8	1080	–4	–20	380	4250	–16	–32	3000	8600

High accuracy single row angular contact ball bearings series 70C, 70A and 72A, with a contact angle $\alpha = 15^\circ$ (C) and $\alpha = 25^\circ$ (A), which are generally used for grinding stone holders, paired mounted in DB and DF arrange-

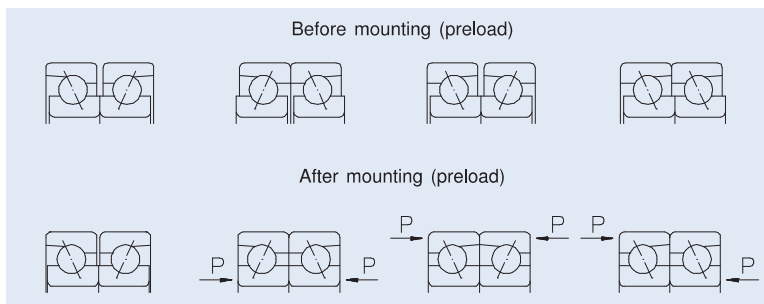
ment, are manufactured with an initial preload. It can be: light (L), moderate (M), heavy (S). The values of these preloads are given in table 3.

Values of axial preload of bearings of series 70C, 70A and 72A, in DB and DF arrangements

Table 3

Bore d	Axial preload Series 70C			Series 72C				Series 70A				Series 72A	
	Symbol	L	M	S	L	M	S	L	M	S	L	M	S
mm	–	N											
10	00	15	30	60	20	40	80	25	50	100	35	70	140
12	01	15	30	60	20	40	80	25	50	100	35	70	140
15	02	20	40	80	30	60	120	30	60	120	45	90	180
17	03	25	50	100	35	70	140	40	80	160	60	120	240
20	04	35	70	140	45	90	180	50	100	200	70	140	280
25	05	35	70	140	50	100	200	60	120	240	80	160	320
30	06	50	100	200	90	180	360	90	180	360	150	300	600
35	07	60	120	240	120	240	480	90	180	360	190	380	760
40	08	60	120	240	150	300	600	100	200	400	240	480	960
45	09	110	220	440	160	320	640	170	340	680	260	520	1040
50	10	110	220	440	170	340	680	180	360	720	260	520	1040
55	11	150	300	600	210	420	840	230	460	920	330	660	1320
60	12	150	300	600	250	500	1000	240	480	960	400	800	1600
65	13	160	320	640	290	580	1160	240	480	960	450	900	1800
70	14	200	400	800	300	600	1200	300	600	1200	480	960	1920
75	15	200	400	800	310	620	1240	310	620	1240	500	1000	2000
80	16	240	480	960	370	740	1480	390	780	1560	580	1160	2320
85	17	250	500	1000	370	740	1480	400	800	1600	600	1200	2400
90	18	300	600	1200	480	960	1920	460	920	1840	750	1500	3000
95	19	310	620	1240	520	1040	2080	480	960	1920	850	1700	3400
100	20	310	620	1240	590	1180	2360	500	1000	2000	950	1900	3800
105	21	360	720	1440	650	1300	2600	560	1120	2240	1000	2000	4000
110	22	420	840	1680	670	1340	2680	650	1300	2600	1050	2100	4200
120	24	430	860	1720	750	1500	3000	690	1380	2760	1200	2400	4800
130	26	560	1120	2240	800	1600	3200	900	1800	3600	1250	2500	5000
140	28	570	1140	2280	–	–	–	900	1800	3600	–	–	–
150	30	650	1300	2600	–	–	–	1000	2000	4000	–	–	–
160	32	730	1460	2920	–	–	–	1150	2300	4600	–	–	–
170	34	800	1600	3200	–	–	–	1250	2500	5000	–	–	–
180	36	900	1800	3600	–	–	–	1450	2900	5800	–	–	–
190	38	950	1900	3800	–	–	–	1450	2900	5800	–	–	–

Designs of single row angular contact ball bearings with clearance or initial preload are given in the figures below.



Cages

Single row angular contact ball bearings series 72B and 73B are generally fitted with pressed sheet cages.

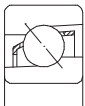

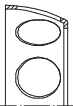
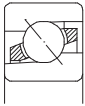
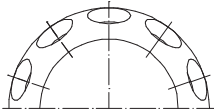
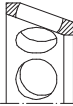
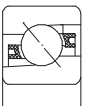
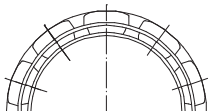

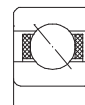
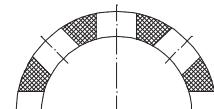
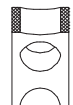
High precision single row angular contact ball bearings series 70C, 72C, 70A and 72A are fitted with textolite cages (textile fibre reinforced phenol resins).

At special request (high speeds, large sizes), bearings series 70C, 72C, 70A and 72A are fitted with machined brass cages. Cages of glass fibre reinforced polyamide 6.6 are also used with good results if operating temperature doesn't exceed +120°C.

Cages design and some technical data are given in table 4

Cages design and some technical data

Table 4

Cage	Design bearing	cage	Application	Max. value		
				$D_m n$ oil	grease	
Pressed sheet cage				- General application - Moderate speeds - Bearings series 72B, 73B	600×10^3	450×10^3
Machined brass cage M,MA,MB				- General application - High speeds - Bearings: 7231B-7238B 7310B-7338B	1100×10^3	800×10^3
Polyamide cage TN				- General application - Low friction moment - High speeds	1100×10^3	900×10^3
Textolite cage T,TA,TB				- High accuracy bearings series: 70C, 72C, 70A, 72A - High speeds - Low vibration level	1200×10^3	900×10^3

Equivalent dynamic radial load

For single row angular contact ball bearings series 72B and 73B, single and in tandem arrangement the following equations are used:

$$P_r = F_r, \text{ kN, when } F_a/F_r \leq 1,14$$

$$P_r = 0,35 F_r + 0,57 F_a, \text{ kN, when } F_a/F_r > 1,14$$

For bearings in DB or DF arrangement

$$P_r = F_r + 0,65 F_a, \text{ kN, when } F_a/F_r \leq 1,14$$

$$P_r = 0,57 F_r + 0,93 F_a, \text{ kN, when } F_a/F_r > 1,14$$

In case of paired bearings, F_r and F_a are the loads acting upon the bearings pair.

As the load is transmitted from one raceway to the other under a certain angle to the bearing axis, the actual load will cause an axial load. This has to be considered when calculating the equivalent dynamic load, in case of two single bearings or tandem arrangements. The equations needed for calculation are given in table 5, for various arrangements and loading versions.

These equations are available for bearings mounted without clearance and without preload (clearance equal to zero).

For single row angular contact ball bearings series 70C and 72C with a contact angle $\alpha = 15^\circ$ (C), single or in DT arrangement, the following equations are available:

$$P_r = F_r, \text{ kN, for } F_a/F_r \leq e$$

$$P_r = 0,44F_r + YF_a, \text{ kN, for } F_a/F_r > e$$

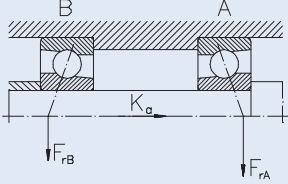
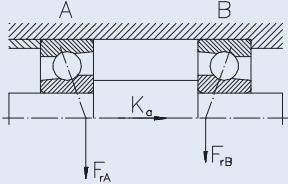
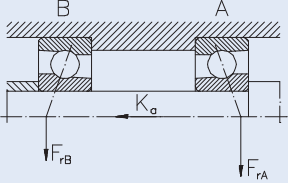
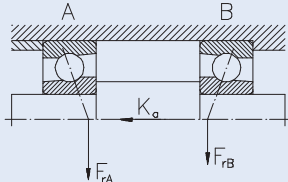
The values of factor Y depend on the values of the ratio f_0 i F_a/C_0r and are given in table 6. Factor f_0 can be found in diagram in page 179 as a function of dimensions series and bearing mean diameter. "i" represents the number of bearings or bearing pairs in a bearing joint.

For bearings in DB and DF arrangements, the following equations are available:

$$P_r = F_r + Y_1F_a, \text{ kN, for } F_a/F_r \leq e$$

$$P_r = 0,72 F_r + Y_2 F_a, \text{ kN, for } F_a/F_r > e$$

The values of factors Y_1 and Y_2 depend on the ratio f_0iF_a/C_0r and are given in table 6 (f_0 from diagram below).

	Loading version	Axial load
<p>Back-to-back arrangement DB</p> 	1a) $F_{rA} \geq F_{rB}$ $K_a \geq 0$	$F_{aA} = 1,14 F_{rA}$ $F_{aB} = F_{aA} + K_a$
	1b) $F_{rA} < F_{rB}$ $K_a \geq 1,14 (F_{rB} - F_{rA})$	$F_{aA} = 1,14 F_{rA}$ $F_{aB} = F_{aA} + K_a$
<p>Face-to-face arrangement DF</p> 	1c) $F_{rA} < F_{rB}$ $K_a < 1,14 (F_{rB} - F_{rA})$	$F_{aA} = F_{aB} - K_a$ $F_{aB} = 1,14 F_{rB}$
	2a) $F_{rA} \leq F_{rB}$ $K_a \geq 0$	$F_{aA} = F_{aB} + K_a$ $F_{aB} = 1,14 F_{rB}$
<p>Back-to-back arrangement DB</p> 	2b) $F_{rA} > F_{rB}$ $K_a \geq 1,14 (F_{rA} - F_{rB})$	$F_{aA} = F_{aB} + K_a$ $F_{aB} = 1,14 F_{rB}$
	2c) $F_{rA} > F_{rB}$ $K_a < 1,14 (F_{rA} - F_{rB})$	$F_{aA} = 1,14 F_{rA}$ $F_{aB} = F_{aA} - K_a$
<p>Face-to-face arrangement DF</p> 		

For single row angular contact ball bearings series 70A and 72A, with a contact angle $\alpha = 25^\circ$, single or in DT arrangement, the following equations are available:

$$P_r = F_r, \text{ kN, for } F_a/F_r \leq 0,68$$

$$P_r = 0,41F_r + 0,87 F_a, \text{ kN, for } F_a/F_r > 0,68$$

For bearings in DB and DF arrangement, the following equations are available:

$$P_r = F_r + Y_1 F_a, \text{ kN, for } F_a/F_r \leq e$$

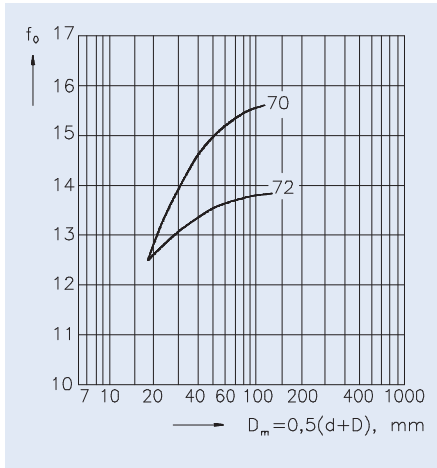
$$P_r = 0,72 F_r + Y_2 F_a, \text{ kN, for } F_a/F_r > e$$

Values for Y_1 and Y_2 are given in table 6.

Values of factors e, Y, Y_1 and Y_2

Table 6

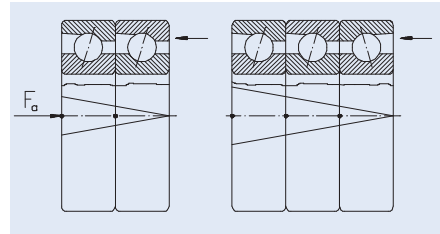
$\frac{f_0 \cdot F_a}{C_{0r}}$	e	Single and DT	Arrangement DB or DF	
		Y	Y_1	Y_2
0,2	0,38	1,46	1,64	2,37
0,4	0,41	1,36	1,52	2,21
0,8	0,44	1,28	1,44	2,11
1,6	0,48	1,16	1,31	1,90
3	0,52	1,08	1,21	1,78
6	0,56	1	1,12	1,66



ovalnesses on the shaft can be compensated.

Every set is delivered as an unit, separately packed. In each unit, bearings are singly packed.

If distance rings are necessary to be mounted between bearings, they have not to be adjusted when being mounted. There is only one condition to be observed: the inner distance ring width should be equal to that of the outer ring, the side faces being parallel to each other. This can be easily done if both distance rings are simultaneously ground on a grinding and lapping machine. If bearings are mounted with distance rings, the mounting is also done observing the "V" marked as mentioned above. The cone vertex should be on the ring side opposite to that one on which the load acts (see next figure).



Equivalent static load

For single row angular contact ball bearings series 72B and 73B with a contact angle $\alpha = 40^\circ$, single and in DT arrangement, the following equation is available:

$$P_{0r} = 0,6 F_r + 0,26 F_a, \text{ kN}$$

If $P_{0r} < F_r$, then we consider $P_0 = F_r$

For bearings in DB and DT arrangement, the following equation is available:

$$P_{0r} = F_r + 0,52 F_a, \text{ kN}$$

For single row angular contact ball bearings series 70C and 72C, with a contact angle $\alpha = 15^\circ$, single and in DT arrangement, the following equation is available:

$$P_{0r} = 0,5 F_r + 0,46 F_a, \text{ kN}$$

For bearings in DB and DE arrangement, the following equation is available:

$$P_{0r} = 0,5 F_r + 0,92 F_a, \text{ kN}$$

For single row angular contact ball bearings series 70A and 72A with a contact angle $\alpha = 25^\circ$, single and in DT arrangement, the following equation is available:

$$P_{0r} = 0,5 F_r + 0,38 F_a, \text{ kN}$$

For bearings in DB and DE arrangement, the following equation is available:

$$P_{0r} = F_r + 0,76 F_a, \text{ kN}$$

Two "V" scratches are marked on the outside surface where the runout is maximum, i.e. where the outer ring thickness is maximum, so that the bearings of a set can be mounted in the manufacturing order. The place of maximum runout is marked on the chamfer between the inner ring bore and side face. Thus, the possible fit

Basic dynamic load of paired bearings

Basic dynamic load given in bearing tables is valid for each single bearing. Basic dynamic load of a paired bearings set can be determined according to the specifications on page 26.

Basic static load of paired bearings

Basic static load of paired bearings can be similarly determined, multiplying the values of C_{0r} in the tables by 2, 3 and 4 respectively.

Bearing speed limit

Single row angular contact ball bearings are used at high speeds.

High precision bearings allow operation at higher speeds than those in the catalogue, depending on the oil lubrication system (oil bath, dropping lubrication, oil spot, with oil cooling).

The values of speeds for bearings series 72B and 73B, normal tolerance class, without preload are given in this catalogue.

In case of preloaded bearings, for single mounted bearing and bearings in DB, DF or DT arrangements, speeds should be multiplied by the coefficients in table 7.

For bearings series 70C, 72C, 70A and 72A, speeds are given for the tolerance class P4 and light preload.

In case of bearings with other values of preloads or arrangements of 3 or 4 bearing sets, the speeds of the bearing of basic design should be multiplied by the

Speed limit reduction factor

Table 7

Arrangement	Bearing preload			
	UA,UO	L	M	S
Single	1,0	1,0	0,90	0,80
Tandem, DT	0,90	0,90	0,80	0,65
Back-to-back, DB	0,80	0,80	0,70	0,55
Face-to-face, DF	0,80	0,75	0,60	0,40
Three bearings set	0,75	0,70	0,55	0,35
Four bearings set	0,70	0,65	0,45	0,25

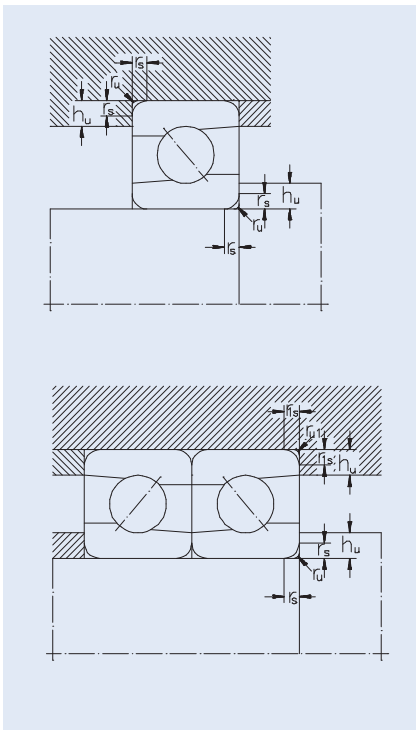
values of the coefficients in table 7.

Abutment dimensions

For a proper location of bearing rings on the shaft and housing shoulder respectively, shaft (housing) maximum connection radius $r_{u\ max}$ should be less than bearing minimum mounting chamfer $r_{1\ min}$, $r_{2\ min}$.

Shoulder height should also be properly sized in case of bearing maximum mounting chamfer.

The values of the connection radii and support shoulder



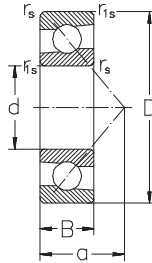
Abutment dimensions

Table 8

r_s, r_{1s} min.	r_u, r_{u1} max.	h_u, h_{u1} min.	
			Bearing series
			718, 728 72
			719, 729 73
			70
mm			
0,3	0,3	1	1,2
0,6	0,6	1,6	2,1
1	1	2,3	2,6
1,1	1	3	3,5
1,5	1,5	3,5	4,5
2	2	4,4	5,5
2,1	2,1	5,1	6
3	2,5	6,2	7
4	3	7,3	8,5

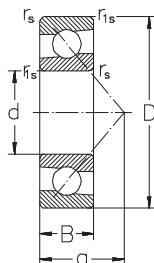
height are given in table 8.

Angular contact ball bearings, single row



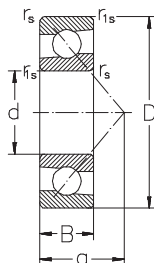
Dimensions						Basic radial load dyn. C_r	Speed limit stat. C_{or}	Speed limit		Designation	Weight
d	D	B	r_s min.	r_{1s} min.	a			grease	oil		
mm						kN		min^{-1}		-	kg
10	30	9	0,6	0,3	13	4,95	2,5	19 000	28 000	7200B	0,031
12	32	10	0,6	0,3	14	7,4	3,75	17 000	24 000	7201B	0,045
15	35	11	0,6	0,3	16	7,45	3,9	16 000	22 000	7202B	0,048
	35	11	0,6	0,3	16	7,45	3,9	16 000	22 000	7202BP6	0,048
	35	11	0,6	0,3	16	7,45	3,9	16 000	22 000	7202BP5	0,048
	42	13	1	0,6	19	12,9	6,5	14 000	19 000	7302B	0,090
17	40	12	0,6	0,6	18	11	6,1	14 000	19 000	7203B	0,070
	40	12	0,6	0,6	18	11	6,1	14 000	19 000	7203BP6	0,070
	40	12	0,6	0,6	18	11	6,1	14 000	19 000	7203BP5	0,070
	47	14	1	0,6	21	14,8	8,1	12 000	17 000	7303B	0,120
20	47	14	1	0,6	21	14,1	8,4	11 000	16 000	7204B	0,110
	47	14	1	0,6	21	14,1	8,4	11 000	16 000	7204BP6	0,110
	47	14	1	0,6	21	14,1	8,4	11 000	16 000	7204BP5	0,110
	52	15	1,1	0,6	23	17,3	9,7	10 000	15 000	7304B	0,150
	52	15	1,1	0,6	23	17,3	9,7	10 000	15 000	7304BP6	0,150
25	52	15	1	0,6	24	15,5	10,1	9 500	14 000	7205B	0,130
	52	15	1	0,6	24	15,5	10,1	9 500	14 000	7205BP6	0,130
	52	15	1	0,6	24	15,5	10,1	9 500	14 000	7205BP5	0,130
	62	17	1,1	0,6	27	24,4	14,6	8 500	12 000	7305B	0,250
	62	17	1,1	0,6	27	24,4	14,6	8 500	12 000	7305BP6	0,250
	62	17	1,1	0,6	27	24,4	14,6	8 500	12 000	7305AMA	0,250
30	62	16	1	0,6	27	20,5	13,6	8 500	12 000	7206B	0,210
	62	16	1	0,6	27	20,5	13,6	8 500	12 000	7206BP6	0,210
	62	16	1	0,6	27	20,5	13,6	8 500	12 000	7206BP5	0,210
	62	16	1	0,6	27	20,5	13,6	8 500	12 000	7206ATAP2	0,210
	72	19	1,1	0,6	31	29,3	19	7 500	10 000	7306B	0,370
	72	19	1,1	0,6	31	29,3	19	7 500	10 000	7306BP6	0,370
	72	19	1,1	0,6	31	29,3	19	7 500	10 000	7306BP5	0,370
	72	19	1,1	0,6	31	29,3	19	7 500	10 000	7306AMA	0,370
35	72	17	1,1	0,6	31	28,5	19,8	7 500	10 000	7207B	0,300
	72	17	1,1	0,6	31	28,5	19,8	7 500	10 000	7207BP5	0,300
	80	21	1,5	1	35	36,7	24,3	7 000	9 500	7307B	0,510
	80	21	1,5	1	35	36,7	24,3	7 000	9 500	7307BP5	0,510
	80	21	1,5	1	35	36,7	24,3	7 000	9 500	7307BP5	0,510
40	80	18	1,1	0,6	34	32,1	23	6 700	9 000	7208B	0,390
	80	18	1,1	0,6	34	32,1	23	6 700	9 000	7208BP6	0,390
	80	18	1,1	0,6	34	32,1	23	6 700	9 000	7208BP5	0,390
	90	23	1,5	1	39	44,8	30,3	6 300	8 500	7308B	0,670
	90	23	1,5	1	39	44,8	30,3	6 300	8 500	7308BP6	0,670
	90	23	1,5	1	39	44,8	30,3	6 300	8 500	7308BP5	0,670
	90	23	1,5	1	39	44,8	30,3	6 300	8 500	7308BP5	0,670
45	85	19	1,1	0,6	37	36,1	26,2	6 300	8 500	7209B	0,440

Angular contact ball bearings, single row



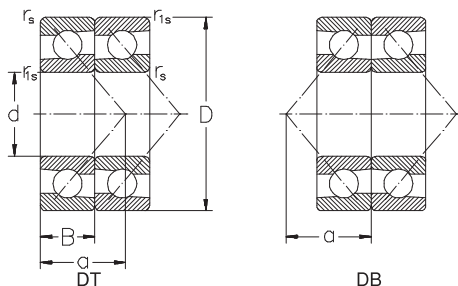
Dimensions						Basic radial load dyn. C_r	stat. C_{or}	Speed limit		Designation	Weight
d	D	B	r_s min.	r_{1s} min.	a			grease	oil		
mm						kN		min^{-1}		–	kg
45	85	19	1,1	0,6	37	36,1	26,2	6 300	8 500	7209BP5	0,440
	100	25	1,5	1	43	58,3	40,1	5 600	7 500	7309B	0,900
	100	25	1,5	1	43	58,3	40,1	5 600	7 500	7309BP6	0,900
	100	25	1,5	1	43	58,3	40,1	5 600	7 500	7309BP5	0,900
50	90	20	1,1	0,6	39	37,4	28,6	5 600	7 500	7210B	0,490
	90	20	1,1	0,6	39	37,4	28,6	5 600	7 500	7210BP6	0,490
	90	20	1,1	0,6	39	37,4	28,6	5 600	7 500	7210BP5	0,490
	110	27	2	1	47	68,2	47,9	5 000	6 700	7310B	1,15
	110	27	2	1	47	68,2	47,9	5 000	6 700	7310BP6	1,15
	110	27	2	1	47	68,2	47,9	5 000	6 700	7310BP5	1,15
55	100	21	1,5	1	43	46,2	36,2	5 300	7 000	7211B	0,650
	120	29	2	1	52	78,8	56,4	4 500	6 000	7311B	1,45
60	110	22	1,5	1	47	56,3	44,7	4 800	6 300	7212B	0,840
	110	22	1,5	1	47	56,3	44,7	4 800	6 300	7212BP5	0,840
	130	31	2,1	1,1	56	90	65,5	4 300	5 600	7312B	1,85
	130	31	2,1	1,1	56	90	65,5	4 300	5 600	7312BP5	1,85
65	120	23	1,5	1	50	63,6	52,5	4 300	5 600	7213B	1,05
	120	23	1,5	1	50	63,6	52,5	4 300	5 600	7213BP6	1,05
	120	23	1,5	1	50	63,6	52,5	4 300	5 600	7213BP5	1,05
	140	33	2,1	1,1	60	101	75,3	4 000	5 300	7313B	2,25
70	125	24	1,5	1	53	69,1	57,8	4 300	5 600	7214B	1,15
	125	24	1,5	1	53	69,1	57,8	4 300	5 600	7214BP6	1,15
	150	35	2,1	1,1	64	114	86	3 800	5 000	7314B	2,75
	150	35	2,1	1,1	64	114	86	3 800	5 000	7314BP6	2,75
	150	35	2,1	1,1	64	114	86	3 800	5 000	7314BP5	2,75
	150	35	2,1	1,1	64	114	86	3 800	5 000	7314BTN	2,75
75	130	25	1,5	1	56	74,8	63,2	4 000	5 300	7215B	1,30
	130	25	1,5	1	56	74,8	63,2	4 000	5 300	7215BP6	1,30
	130	25	1,5	1	56	74,8	63,2	4 000	5 300	7215BP5	1,30
	160	37	2,1	1,1	68	125	97,5	3 400	4 500	7315B	3,30
	160	37	2,1	1,1	68	125	97,3	3 400	4 500	7315BMAP6	3,30
	160	37	2,1	1,1	68	125	97,5	3 400	4 500	7315AMA	3,30
80	140	26	2	1	59	80,5	69,3	3 800	5 000	7216B	1,55
	170	39	2,1	1,1	72	135	109	3 200	4 300	7316B	3,90
	170	39	2,1	1,1	72	135	109	3 200	4 300	7316BP6	3,903
	170	39	2,1	1,1	72	135	109	3 200	4 300	7316BMAP6	3,903
85	150	28	2	1	64	93,1	81,1	3 400	4 500	7217B	1,953
	180	41	3	1,1	76	145	122	3 000	4 000	7317B	4,603
	180	41	3	1,1	76	145	122	3 000	4 000	7317BP6	4,603
	180	41	3	1,1	76	145	122	3 000	4 000	7317BMP6	4,603

Angular contact ball bearings, single row



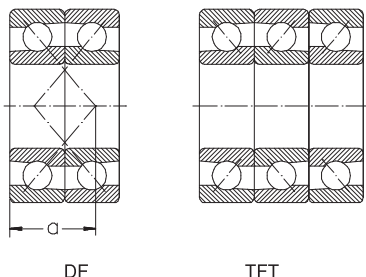
Dimensions						Basic radial load		Speed limit		Designation	Weight
d	D	B	r_s min.	r_{1s} min.	a	dyn. C_r	stat. C_{or}	grease	oil		
mm						kN		min^{-1}		–	kg
90	160	30	2	1	67	107	93,8	3 200	4 300	7218B	2,403
	160	30	2	1	67	107	93,8	3 200	4 300	7218BMB	2,403
	190	43	3	1,1	80	156	135	2 800	3 800	7318B	5,403
95	170	32	2,1	1,1	71	116	101	3 000	4 000	7219B	2,903
	200	45	3	1,1	84	168	150	2 600	3 600	7319B	6,253
100	180	34	2,1	1,1	76	129	116	2 800	3 800	7220B	3,453
	180	34	2,1	1,1	76	129	116	2 800	3 800	7220BP6	3,453
	180	34	2,1	1,1	76	129	116	2 800	3 800	7220BMA	3,453
	180	34	2,1	1,1	76	129	116	2 800	3 800	7220BMAP6	3,453
	180	34	2,1	1,1	76	129	116	2 800	3 800	7220BMAP4	3,453
	180	34	2,1	1,1	76	129	116	2 800	3 800	7220BMB	3,453
	215	47	3	1,1	90	190	178	2 400	3 400	7320B	7,753
215	47	3	1,1	90	190	178	2 400	3 400	7320BP6	7,753	
215	47	3	1,1	90	190	178	2 400	3 400	7320BM	7,753	
110	200	38	2,1	1,1	84	153	145	2 400	3 400	7222B	4,803
	200	38	2,1	1,1	84	153	145	2 400	3 400	7222BMB	4,803
	240	50	3,1	1,1	99	248	229	2 000	3 000	7322B	10,53
	240	50	3	1,1	99	248	229	2 000	3 000	7322BP5	10,53
	240	50	3	1,1	99	248	229	2 000	3 000	7322BM	10,53
140	250	42	3	1,1	103	191	210	1 700	2 400	7228B	8,803
	300	62	4	1,5	123	290	334	1 700	2 400	7328B	21,63
	300	62	4	1,5	123	290	334	1 700	2 400	7328BMBP5	21,63
150	190	24	1,1	0,6	35	60,5	79,2	2 200	3 000	72830CMA	3,363
	270	45	3	1,1	111	195	222	2 000	2 800	7230BM	11,63
	320	65	4	1,5	131	317	380	1 600	2 000	7330BM	26,53
	320	65	4	1,5	131	317	380	1 600	2 000	7330BMP5	26,53
160	220	28	2	1	58	110	134	2 200	3 000	71932AMAP5	3,263
180	250	33	2	2	33	131	162	2 000	2 800	71936AM	5,36
200	250	30	1,5	0,6	45	102	141	3 000	5 600	72840CMAP4	3,43

Angular contact ball bearings, single row, for paired and stack mounted



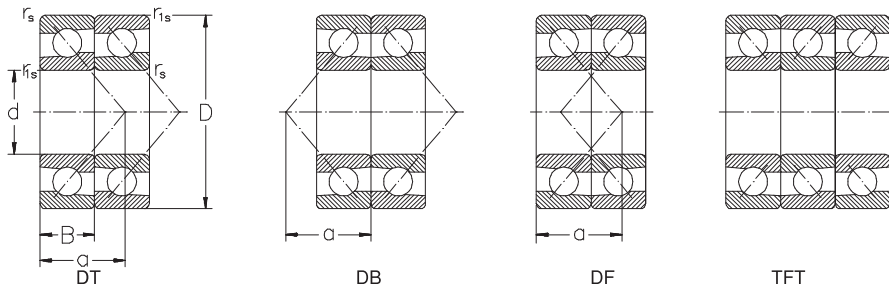
Dimensions						Basic radial load		Speed limit		Designation	Weight	
d	D	B	r _s min.	r _{1s} min.	a	dyn. C _r	stat. C _{0r}	grease	oil			
mm						kN		min ⁻¹		kg		
15	35	11	0,6	0,3	16	12	7,8	14 000	20 000	7202BDT	0,096	
	35	11	0,6	0,3	16	12	7,8	13 000	18 000	7202BDB	0,096	
	35	11	0,6	0,3	16	12	7,8	14 000	20 000	7202BP6DT	0,096	
	35	11	0,6	0,3	16	12	7,8	13 000	18 000	7202BP5DB	0,096	
17	40	12	0,6	0,6	18	17,8	12,2	13 000	17 000	7203BDT	0,140	
	40	12	0,6	0,6	18	17,8	12,2	11 000	15 000	7203BDB	0,140	
	40	12	0,6	0,6	18	17,8	12,2	11 000	15 000	7203BDF	0,140	
	40	12	0,6	0,6	18	17,8	12,2	11 000	15 000	7203BP6DB	0,140	
	40	12	0,6	0,6	18	17,8	12,2	11 000	15 000	7203BP5DB	0,140	
	47	14	1	0,6	21	24	16,2	11 000	15 000	7303BDT	0,240	
20	47	14	1	0,6	21	22,8	16,8	10 000	14 000	7204BDT	0,220	
	47	14	1	0,6	21	22,8	16,8	10 000	14 000	7204BDB	0,220	
	47	14	1	0,6	21	22,8	16,8	9 000	13 000	7204BDF	0,220	
	47	14	1	0,6	21	22,8	16,8	9 000	13 000	7204BP6DB	0,220	
	47	14	1	0,6	21	22,8	16,8	9 000	13 000	7204BP5DB	0,220	
		52	15	1,1	0,6	23	28	19,4	9 000	14 000	7304BDT	0,303
	52	15	1,1	0,6	23	28	19,4	8 000	12 000	7304BDB	0,303	
	52	15	1,1	0,6	23	28	19,4	8 000	12 000	7304BDF	0,303	
25	52	15	1	0,6	24	25,1	20,2	9 000	13 000	7205BDT	0,260	
	52	15	1	0,6	24	25,1	20,2	7 500	11 000	7205BDB	0,260	
	52	15	1	0,6	24	25,1	20,2	7 500	11 000	7205BDF	0,260	
	52	15	1	0,6	24	25,1	20,2	7 500	11 000	7205BP6DB	0,260	
	52	15	1	0,6	24	25,1	20,2	9 000	13 000	7205BP5DT	0,260	
		52	15	1	0,6	24	25,1	20,2	7 500	11 000	7205BP5DB	0,260
		52	15	1	0,6	24	33,5	30,3	7 000	10 000	7205BP5TFT	0,390
		62	17	1,1	0,6	27	39,5	29,2	7 500	11 000	7305BDT	0,500
		62	17	1,1	0,6	27	39,5	29,2	6 700	9 500	7305BDB	0,500
		62	17	1,1	0,6	27	39,5	29,2	6 700	9 500	7305BDF	0,500
	62	17	1,1	0,6	27	39,5	29,2	6 700	9 500	7305AMADF	0,500	
30	62	16	1	0,6	27	33,2	27,2	7 500	11 000	7206BDT	0,420	
	62	16	1	0,6	27	33,2	27,2	6 700	9 500	7206BDB	0,420	
	62	16	1	0,6	27	33,2	27,2	6 700	9 500	7206BDF	0,420	
	62	16	1	0,6	27	33,2	27,2	6 700	9 500	7206BP6DB	0,420	
	62	16	1	0,6	27	33,2	27,2	6 700	9 500	7206BP5DB	0,420	
		62	16	1	0,6	27	33,2	27,2	6 700	9 500	7206BP5DF	0,420
		62	16	1	0,6	27	44,3	40,8	6 000	8 500	7206BP5TFT	0,630
		62	16	1	0,6	27	33,2	27,2	7 500	11 000	7206ATAP2DT	0,420
		72	19	1,1	0,6	31	47,5	38	6 700	9 000	7306BDT	0,740
		72	19	1,1	0,6	31	47,5	38	6 000	8 000	7306BDB	0,740
		72	19	1,1	0,6	31	47,5	38	6 000	8 000	7306BDF	0,740
		72	19	1,1	0,6	31	63,3	57	5 300	7 000	7306BTFT	1,113
		72	19	1,1	0,6	31	77,4	76	5 300	7 000	7306BQFC	1,483

Angular contact ball bearings, single row, for paired and stack mounted



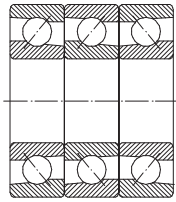
Dimensions						Basic radial load		Speed limit		Designation	Weight
d	D	B	r _s min.	r _{1s} min.	a	dyn. C _r	stat. C _{0r}	grease	oil		
mm						kN		min ⁻¹		–	kg
30	72	19	1,1	0,6	31	47,5	38	6 700	9 000	7306BP5DT	0,740
	72	19	1,1	0,6	31	47,5	38	6 700	9 000	7306AMADT	0,740
	72	19	1,1	0,6	31	47,5	38	6 000	8 000	7306AMADF	0,740
35	72	17	1,1	0,6	31	46,2	39,6	6 700	9 000	7207BDT	0,600
	72	17	1,1	0,6	31	46,2	39,6	6 000	8 000	7207BDB	0,600
	72	17	1,1	0,6	31	46,2	39,6	6 000	8 000	7207BDF	0,600
	72	17	1,1	0,6	31	46,2	39,6	6 700	9 000	7207BP5DT	0,600
	72	17	1,1	0,6	31	46,2	39,6	6 000	8 000	7207BP5DB	0,600
	72	17	1,1	0,6	31	61,6	59,4	5 300	7 000	7207BP5TBT	0,900
	72	17	1,1	0,6	31	75,2	79,2	5 300	7 000	7207BP5QFC	1,203
	80	21	1,5	1	35	59,5	48,6	6 300	8 500	7307BDT	1,023
	80	21	1,5	1	35	59,5	48,6	5 600	7 500	7307BDB	1,023
	80	21	1,5	1	35	59,5	48,6	5 600	7 500	7307BDF	1,023
40	80	21	1,5	1	35	59,5	48,6	5 600	7 500	7307BP6DB	1,023
	80	18	1,1	0,6	34	52	46	6 000	8 000	7208BDT	0,780
	80	18	1,1	0,6	34	52	46	6 030	8 100	7208BDB	0,780
	80	18	1,1	0,6	34	52	46	5 300	7 000	7208BDF	0,780
	80	18	1,1	0,6	34	52	46	6 000	8 000	7208BP5DT	0,780
	80	18	1,1	0,6	34	52	46	5 300	7 000	7208BP5DB	0,780
	90	23	1,5	1	39	72,6	60,6	5 600	7 500	7308BDT	1,343
	90	23	1,5	1	39	72,6	60,6	5 000	6 700	7308BDB	1,343
	90	23	1,5	1	39	72,6	60,6	5 000	6 700	7308BDF	1,343
	90	23	1,5	1	39	96,8	91,8	4 500	6 000	7308BTFT	0,670
	90	23	1,5	1	39	118	121	4 500	6 000	7308BQFC	2,683
	90	23	1,5	1	39	72,6	60,6	5 000	6 700	7308BP6DF	1,343
	90	23	1,5	1	39	72,6	60,6	5 000	6 700	7308BP5DB	1,343
	90	23	1,5	1	39	96,8	91,8	4 500	6 000	7308BP5TFT	2,013
90	23	1,5	1	39	118	121	4 500	6 000	7308BP5QFC	2,683	
45	85	19	1,1	0,6	37	58,5	52,4	5 600	7 500	7209BDT	0,880
	85	19	1,1	0,6	37	58,5	52,4	5 000	6 700	7209BDB	0,880
	85	19	1,1	0,6	37	58,5	52,4	5 000	6 700	7209BDF	0,880
	85	19	1,1	0,6	37	58,5	52,4	5 000	6 700	7209BP5DB	0,880
	100	25	1,5	1	43	94,4	80,2	5 000	6 700	7309BDT	1,803
	100	25	1,5	1	43	94,4	80,2	4 500	6 000	7309BDB	1,803
	100	25	1,5	1	43	94,4	80,2	4 480	6 000	7309BDF	1,803
	100	25	1,5	1	43	94,4	80,2	4 500	6 000	7309BP6DB	1,803
	100	25	1,5	1	43	94,4	80,2	4 500	6 000	7309BP6DF	1,803
	50	90	20	1,1	0,6	39	60,6	57,2	5 000	6 700	7210BDT
90		20	1,1	0,6	39	60,6	57,2	4 500	6 000	7210BDF	0,980
90		20	1,1	0,6	39	60,6	57,2	5 000	6 700	7210BP5DT	0,980
90		20	1,1	0,6	39	60,6	57,2	4 500	6 000	7210BP5DB	0,980
110		27	2	1	47	111	95,8	4 500	6 000	7310BDT	2,303

Angular contact ball bearings, single row, for paired and stack mounted

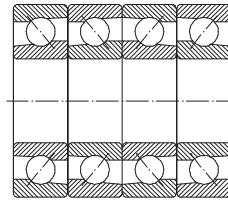


Dimensions					Basic radial load		Speed limit		Designation	Weight	
d	D	B	r _s min.	r _{1s} min.	a	dyn. C _r	stat. C _{0r}	grease			oil
mm					kN		min ⁻¹		kg		
50	110	27	2	1	47	111	95,8	4 000	5 300	7310BDB	2,303
	110	27	2	1	47	111	95,8	4 000	5 300	7310BDF	2,303
	110	27	2	1	47	205	144	3 600	4 800	7310BP5TFT	3,453
	110	27	2	1	47	273	192	3 600	4 800	7310BP5QFC	4,603
55	100	21	1,5	1	43	74,8	72,4	4 800	6 300	7211BDT	1,303
	100	21	1,5	1	43	74,8	72,4	4 300	5 600	7211BDB	1,303
	100	21	1,5	1	43	74,8	72,4	4 300	5 600	7211BDF	1,303
	120	29	2	1	51	128	113	4 000	5 300	7311BDT	2,903
	120	29	2	1	51	128	113	3 600	4 800	7311BDB	2,903
	120	29	2	1	52	128	113	3 600	4 800	7311BDF	2,903
60	110	22	1,5	1	47	91,2	89,4	4 300	5 600	7212BDT	1,683
	110	22	1,5	1	47	91,2	89,4	3 800	5 000	7212BDB	1,683
	110	22	1,5	1	47	91,2	89,4	3 800	5 000	7212BDF	1,683
	110	22	1,5	1	47	91,2	89,4	3 800	5 000	7212BP5DB	1,683
	130	31	2,1	1,1	55	146	131	3 800	5 000	7312BDT	3,703
	130	31	2,1	1,1	55	146	131	3 400	4 500	7312BDB	3,703
130	31	2,1	1,1	55	146	131	3 400	4 500	7312BDF	3,703	
130	31	2,1	1,1	55	146	131	3 400	4 500	7312BP5DB	3,703	
65	120	23	1,5	1	50	103	105	3 800	5 000	7213BDT	2,103
	120	23	1,5	1,1	50	103	105	3 800	5 000	7213BDB	2,103
	120	23	1,5	1,1	50	103	105	3 800	5 000	7213BDF	2,103
	120	23	1,5	1	50	103	105	3 400	4 500	7213BP6DB	2,103
	120	23	1,5	1	50	103	105	3 400	4 500	7213BP6DF	2,103
	140	33	2,1	1,1	60	164	151	3 600	4 800	7313BDT	4,503
140	33	2,1	1,1	60	164	151	3 200	4 300	7313BDB	4,503	
140	33	2,1	1,1	60	164	151	3 200	4 300	7313BDF	4,503	
70	125	24	1,5	1	53	112	116	3 800	5 000	7214BDT	2,303
	125	24	1,5	1	53	112	116	3 400	4 500	7214BDB	2,303
	125	24	1,5	1	53	112	116	3 400	4 500	7214BDF	2,303
	150	35	2,1	1,1	64	185	172	3 400	4 500	7314BDT	5,503
	150	35	2,1	1,1	64	185	172	3 000	4 000	7314BDB	5,503
	150	35	2,1	1,1	64	185	172	3 000	4 000	7314BDF	5,503
150	35	2,1	1,1	64	185	172	3 400	4 500	7314BP6DT	5,503	
150	35	2,1	1,1	64	185	172	3 400	4 500	7314BP5DT	5,503	
150	35	2,1	1,1	64	185	172	3 000	4 000	7314BP5DB	5,503	
75	130	25	1,5	1	56	121	126	3 600	4 300	7215BDT	2,603
	130	25	1,5	1	56	121	126	3 200	4 300	7215BDB	2,603
	130	25	1,5	1	56	121	126	3 200	4 300	7215BDF	2,603
	130	25	1,5	1	56	121	126	3 200	4 300	7215BP6DB	2,603
	130	25	1,5	1	56	121	126	3 200	4 300	7215BMAP6DB	2,603
	160	37	2,1	1,1	68	203	195	3 200	4 000	7315BDT	6,603
160	37	2,1	1,1	68	203	195	2 800	3 600	7315BDB	6,603	

Angular contact ball bearings, single row, for paired and stack mounted



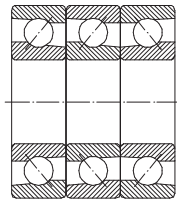
TBT



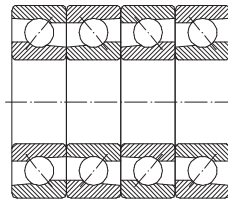
QFC

Dimensions						Basic radial load dyn. C _r	Speed limit		Designation	Weight	
d	D	B	r _s min.	r _{1s} min.	a		grease	oil			
mm						kN	min ⁻¹		–	kg	
75	160	37	2,1	1,1	68	203	195	2 800	3 600	7315BDF	6,603
	160	37	2,1	1,1	68	203	195	2 800	3 600	7315AMADF	6,603
80	110	16	1	1	21	55,1	69,2	4 000	5 300	71916CTAP4DT	0,736
	140	26	2	1	59	130	139	3 200	4 300	7216BDT	3,103
	140	26	2	1	59	130	139	2 800	3 800	7216BDB	3,103
	140	26	2	1	59	130	139	2 800	3 800	7216BDF	3,103
	170	39	2,1	1,1	72	219	218	2 800	3 800	7316BDT	7,803
	170	39	2,1	1,1	72	219	218	2 600	3 400	7316BDB	7,803
	170	39	2,1	1,1	72	219	218	2 600	3 400	7316BDF	7,803
	170	39	2,1	1,1	72	292	327	2 200	3 000	7316BTBT	11,73
	170	39	2,1	1,1	72	219	218	2 800	3 800	7316BP6DT	7,803
	170	39	2,1	1,1	72	292	327	2 200	3 000	7316BMAP6TBT	11,73
85	150	28	2	1	64	151	162	3 000	4 000	7217BDT	3,903
	150	28	2	1	64	151	162	2 800	3 600	7217BDB	3,903
	150	28	2	1	64	151	162	2 800	3 600	7217BDF	3,903
	180	41	3	1,1	76	235	244	2 800	3 600	7317BDT	9,203
	180	41	3	1,1	76	235	244	2 400	3 200	7317BDB	9,203
	180	41	3	1,1	76	235	244	2 400	3 200	7317BDF	9,203
90	160	30	2	1	67	173	188	2 800	3 800	7218BDT	4,803
	160	30	2	1	67	173	188	2 600	3 400	7218BDB	4,803
	160	30	2	1	67	173	188	2 600	3 400	7218BDF	4,803
	190	43	3	1,1	80	253	270	2 600	3 400	7318BDT	10,83
	190	43	3	1,1	80	253	270	2 200	3 000	7318BDB	10,83
	190	43	3	1,1	80	253	270	2 200	3 000	7318BDF	10,83
	190	43	3	1,1	80	337	405	2 000	2 600	7318BTBT	16,23
95	170	32	2,1	1,1	72	188	202	2 800	3 600	7219BDT	5,803
	170	32	2,1	1,1	72	188	202	2 400	3 200	7219BDB	5,803
	170	32	2,1	1,1	72	188	202	2 400	3 200	7219BDF	5,803
	200	45	3	1,1	84	272	300	2 400	3 200	7319BDT	12,53
	200	45	3	1,1	84	272	300	2 000	2 800	7319BDB	12,53
	200	45	3	1,1	84	272	300	2 000	2 800	7319BDF	12,53
100	180	34	2,1	1,1	76	208	232	2 600	3 400	7220BDT	6,903
	180	34	2,1	1,1	76	208	232	2 200	3 000	7220BDB	6,903
	180	34	2,1	1,1	76	208	232	2 200	3 000	7220BDF	6,903
	180	34	2,1	1,1	76	208	232	2 200	3 000	7220BMAP6DB	6,903
	180	34	2,1	1,1	76	208	232	2 200	3 000	7220BMAP6DT	6,903
	180	34	2,1	1,1	76	208	232	2 200	3 000	7220BMAP6DT	6,903
	180	34	2,1	1,1	76	208	232	2 600	2 800	7220BMAP4DT	6,903
	215	47	3	1,1	90	308	356	2 200	3 000	7320BDT	15,53
	215	47	3	1,1	90	308	356	1 900	2 800	7320BDB	15,53
	215	47	3	1,1	90	308	356	1 900	2 800	7320BDF	15,53
215	47	3	1,1	90	308	356	2 200	3 000	7320BP6DT	15,53	

Angular contact ball bearings, single row, for paired and stack mounted



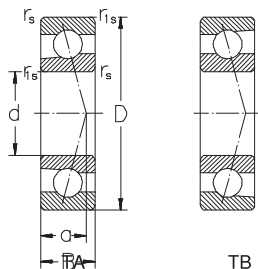
TBT



QFC

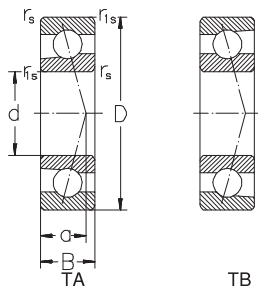
Dimensions						Basic radial load dyn. C _r	stat. C _{0r}	Speed limit		Designation	Weight
d	D	B	r _s min.	r _{1s} min.	a			grease	oil		
mm						kN		min ⁻¹		–	kg
100	215	47	3	1,1	90	308	356	2 200	3 000	7320BMDT	15,53
110	200	38	2,1	1,1	84	248	290	2 200	3 000	7222BDT	9,603
	200	38	2,1	1,1	84	248	290	1 900	2 800	7222BDB	9,603
	240	50	3	1,1	99	365	458	1 800	2 800	7322BDT	21,03
	240	50	3	1,1	99	365	458	1 600	2 400	7322BDB	21,03
	240	50	3	1,1	99	536	687	1 400	2 200	7322BTBT	31,53
	240	50	3	1,1	99	365	458	1 800	2 800	7322BP5DT	21,03
110	240	50	3	1,1	99	365	458	1 600	2 400	7322BMDF	21,03
	240	50	3	1,1	99	365	458	1 600	2 400	7322BMDF	21,03
140	250	42	3	1,1	103	172	189	1 400	1 900	7228BDT	17,63
	300	62	4	1,5	123	470	668	1 400	2 200	7328BDT	43,23
	300	62	4	1,5	123	470	668	1 200	1 900	7328BDB	43,23
	300	62	4	1,5	123	470	668	1 400	2 200	7328BMBP5DT	43,23
150	270	45	3	1,1	111	156	444	2 400	3 800	7230BDB	23,23
	270	45	3	1,1	111	156	444	2 400	3 800	7230BMD	23,23
	320	65	4	1,5	131	254	760	1 400	1 800	7330BMDF	53,03
	320	65	4	1,5	131	254	760	1 400	1 800	7330BMP5DT	53,03
160	220	28	2	1	58	176	268	1 600	2 400	71932AMAP5DB	6,523
180	250	33	2	2	33	210	324	1 500	2 200	71936AMDB	10,83
200	250	30	1,5	0,6	45	165	282	1 400	2 000	72840CMAP4DB	6,863
	250	30	1,5	0,6	45	220	423	1 300	1 800	72840CMAP4TBT	10,23

High precision angular contact ball bearings, single row



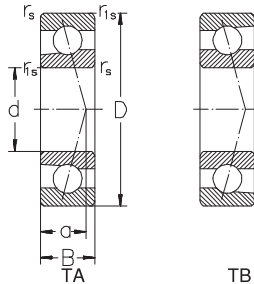
Dimensions						Basic radial load		Speed limit		Designation	Weight
d	D	B	$r_{s, \text{min.}}$	$r_{1s, \text{min.}}$	a	dyn. C_r	stat. C_{0r}	grease	oil		
mm						kN		min^{-1}		kg	
10	26	8	0,3	0,1	6	5,3	2,45	56 000	90 000	7000CTAP4	0,020
	26	8	0,3	0,1	6	5,3	2,45	56 000	90 000	7000CTAP2	0,020
	30	9	0,6	0,3	7	5,8	2,95	50 000	80 000	7200CTAP4	0,029
	30	9	0,6	0,3	7	5,8	2,95	50 000	80 000	7200CTAP2	0,029
12	28	8	0,3	0,1	7	5,4	2,6	50 000	80 000	7001CTAP4	0,023
	28	8	0,3	0,1	7	5,4	2,6	50 000	80 000	7001CTAP2	0,023
	32	10	0,6	0,3	10	7,5	3,4	45 000	70 000	7201ATAP4	0,030
	32	10	0,6	0,3	10	7,5	3,4	45 000	70 000	7201ATAP2	0,030
15	32	9	0,3	0,1	8	6,3	3,4	43 000	67 000	7002CTAP4	0,030
	32	9	0,3	0,1	8	6,3	3,4	43 000	67 000	7002CTAP2	0,030
	35	11	0,6	0,3	9	8,9	4,5	40 000	63 000	7202CTAP4	0,042
	35	11	0,6	0,3	9	8,9	4,5	40 000	63 000	7202CTAP2	0,042
	35	11	0,6	0,3	12	8,7	4,4	36 000	56 000	7202ATAP4	0,042
	35	11	0,6	0,3	12	8,7	4,4	36 000	56 000	7202ATAP2	0,042
17	35	10	0,3	0,1	9	7,2	4,2	38 000	60 000	7003CTAP4	0,039
	35	10	0,3	0,1	9	7,2	4,2	38 000	60 000	7003CTAP2	0,039
	40	12	0,6	0,3	10	10,9	5,8	36 000	56 000	7203CTAP4	0,060
	40	12	0,6	0,3	10	10,9	5,8	36 000	56 000	7203CTAP2	0,060
	40	12	0,6	0,3	13	9	5,1	30 000	48 000	7203ATAP4	0,060
	40	12	0,6	0,3	13	9	5,1	30 000	48 000	7203ATAP2	0,060
20	42	12	0,6	0,3	10	10,5	6,1	32 000	50 000	7004CTAP4	0,070
	42	12	0,6	0,3	10	10,5	6,1	32 000	50 000	7004CTAP2	0,070
	42	12	0,6	0,3	10	10,5	6,1	32 000	50 000	7004CTBP4	0,070
	42	12	0,6	0,3	10	10,5	6,1	32 000	50 000	7004CTBP2	0,070
	42	12	0,6	0,3	13	10	5,8	28 000	45 000	7004ATAP4	0,070
	42	12	0,6	0,3	13	10	5,8	28 000	45 000	7004ATAP2	0,070
	47	14	1	0,6	12	15,6	9	30 000	48 000	7204CTAP4	0,100
	47	14	1	0,6	12	15,6	9	30 000	48 000	7204CTAP2	0,100
	47	14	1	0,6	12	15,6	9	30 000	48 000	7204CTBP4	0,100
	47	14	1	0,6	12	15,6	9	30 000	48 000	7204CTBP2	0,100
	47	14	1	0,6	15	14,9	8,6	26 000	43 000	7204ATAP4	0,100
	47	14	1	0,6	15	14,9	8,6	26 000	43 000	7204ATAP2	0,100
25	47	12	0,6	0,3	11	11,7	7,4	28 000	45 000	7005CTAP4	0,080
	47	12	0,6	0,3	11	11,7	7,4	28 000	45 000	7005CTAP2	0,080
	47	12	0,6	0,3	11	11,7	7,4	28 000	45 000	7005CTBP4	0,080
	47	12	0,6	0,3	11	11,7	7,4	28 000	45 000	7005CTBP2	0,080
	47	12	0,6	0,3	15	10,4	6,95	24 000	40 000	7005ATAP4	0,080
	47	12	0,6	0,3	15	10,4	6,95	24 000	40 000	7005ATAP2	0,080
	52	15	1	0,6	13	16,6	10,3	26 000	43 000	7205CTAP4	0,120
	52	15	1	0,6	13	16,6	10,3	26 000	43 000	7205CTAP2	0,120
	52	15	1	0,6	13	16,6	10,3	26 000	43 000	7205CTBP4	0,120
	52	15	1	0,6	13	16,6	10,3	26 000	43 000	7205CTBP2	0,120

High precision angular contact ball bearings, single row



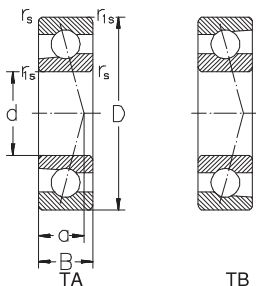
Dimensions						Basic radial load		Speed limit		Designation	Weight																																																																																																																																																																																																																																																																																																																																																																																																																										
d	D	B	r _s min.	r _{1s} min.	a	dyn. C _r	stat. C _{0r}	grease	oil																																																																																																																																																																																																																																																																																																																																																																																																																												
mm						kN		min ⁻¹		–	kg																																																																																																																																																																																																																																																																																																																																																																																																																										
25	52	15	1	0,6	17	13,7	8,8	22 000	38 000	7205ATAP4 7205ATAP2	0,120 0,120																																																																																																																																																																																																																																																																																																																																																																																																																										
	52	15	1	0,6	17	13,7	8,8	22 000	38 000			30	55	13	1	0,3	12	15,1	10,3	24 000	40 000	7006CTAP4 7006CTAP2	0,120 0,120	55	13	1	0,3	12	15,1	10,3	24 000	40 000	55	13	1	0,3	12	15,1	10,3	24 000	40 000	7006CTBP4 7006CTBP2	0,120 0,120	55	13	1	0,3	12	15,1	10,3	24 000	40 000	55	13	1	0,3	17	13,4	9,5	20 000	36 000	7006ATAP2 7206CTAP4	0,120 0,190	55	13	1	0,3	17	13,4	9,5	20 000	36 000	62	16	1	0,6	14	23	14,8	22 000	38 000	7206CTAP2 7206CTAP2	0,190 0,190	62	16	1	0,6	14	23	14,8	22 000	38 000	62	16	1	0,6	14	23	14,8	22 000	38 000	7206CTBP4 7206CTBP2	0,190 0,190	62	16	1	0,6	14	23	14,8	22 000	38 000	62	16	1	0,6	19	22	14,1	19 000	34 000	7206ATAP4 7206ATAP2	0,190 0,190	62	16	1	0,6	19	22	14,1	19 000	34 000	35	62	14	1	0,3	14	19,2	13,7	20 000	36 000	7007CTAP4 7007CTAP2	0,160 0,160	62	14	1	0,3	14	19,2	13,7	20 000	36 000	62	14	1	0,3	14	19,2	13,7	20 000	36 000	7007CTBP4 7007CTBP2	0,160 0,160	62	14	1	0,3	14	19,2	13,7	20 000	36 000	62	14	1	0,3	19	18,2	13,1	18 000	32 000	7007ATAP2 7007ATBP4	0,160 0,270	62	14	1	0,3	19	18,2	13,1	18 000	32 000	72	17	1,1	0,6	16	30,4	20,2	19 000	34 000	7207CTAP4 7207CTAP2	0,270 0,270	72	17	1,1	0,6	16	30,4	20,2	19 000	34 000	72	17	1,1	0,6	16	30,4	20,2	19 000	34 000	7207CTBP4 7207CTBP2	0,270 0,270	72	17	1,1	0,6	16	30,4	20,2	19 000	34 000	72	17	1,1	0,6	21	24,5	17	16 000	28 000	7207ATAP4 7207ATAP2	0,270 0,270	72	17	1,1	0,6	21	24,5	17	16 000	28 000	40	68	15	1	0,3	15	20,6	15,9	19 000	34 000	7008CTAP4 7008CTAP2	0,190 0,190	68	15	1	0,3	15	20,6	15,9	19 000	34 000	68	15	1	0,3	20	19,5	15	16 000	28 000	7008ATAP4 7008ATAP2	0,190 0,190	68	15	1	0,3	20	19,5	15	16 000	28 000	68	15	1	0,3	20	19,5	15	16 000	28 000	7008ATBP4 7208CTAP4	0,190 0,350	68	15	1	0,3	20	19,5	15	16 000	28 000	80	18	1,1	0,6	17	36,3	25,2	17 000	30 000	7208CTAP2 7208CTAP2	0,350 0,350	80	18	1,1	0,6	17	36,3	25,2	17 000	30 000	80	18	1,1	0,6	17	36,3	25,2	17 000	30 000	7208CTBP4 7208CTBP2	0,350 0,350	80	18	1,1	0,6	17	36,3	25,2	17 000	30 000	80	18	1,1	0,6	23	35,2	24,4	15 000	26 000	7208ATAP4 7208ATAP2	0,350 0,350	80	18	1,1	0,6	23	35,2	24,4	15 000	26 000	80	18	1,1	0,6	23	35,2	24,4	15 000	26 000	7208ATBP4 7208ATBP4	0,350 0,350	80	18	1,1	0,6	23	35,2	24,4	15 000	26 000	45	75	16	1	0,3	16	24,4	19,3	16 000	28 000	7009CTAP4 7009CTAP2 7009ATAP4	0,250 0,250 0,250	75	16	1	0,3	16	24,4	19,3	15 000	28 000	75	16	1	0,3	22	22
30	55	13	1	0,3	12	15,1	10,3	24 000	40 000	7006CTAP4 7006CTAP2	0,120 0,120																																																																																																																																																																																																																																																																																																																																																																																																																										
	55	13	1	0,3	12	15,1	10,3	24 000	40 000																																																																																																																																																																																																																																																																																																																																																																																																																												
	55	13	1	0,3	12	15,1	10,3	24 000	40 000	7006CTBP4 7006CTBP2	0,120 0,120																																																																																																																																																																																																																																																																																																																																																																																																																										
	55	13	1	0,3	12	15,1	10,3	24 000	40 000																																																																																																																																																																																																																																																																																																																																																																																																																												
	55	13	1	0,3	17	13,4	9,5	20 000	36 000	7006ATAP2 7206CTAP4	0,120 0,190																																																																																																																																																																																																																																																																																																																																																																																																																										
	55	13	1	0,3	17	13,4	9,5	20 000	36 000																																																																																																																																																																																																																																																																																																																																																																																																																												
	62	16	1	0,6	14	23	14,8	22 000	38 000	7206CTAP2 7206CTAP2	0,190 0,190																																																																																																																																																																																																																																																																																																																																																																																																																										
	62	16	1	0,6	14	23	14,8	22 000	38 000																																																																																																																																																																																																																																																																																																																																																																																																																												
	62	16	1	0,6	14	23	14,8	22 000	38 000	7206CTBP4 7206CTBP2	0,190 0,190																																																																																																																																																																																																																																																																																																																																																																																																																										
	62	16	1	0,6	14	23	14,8	22 000	38 000																																																																																																																																																																																																																																																																																																																																																																																																																												
	62	16	1	0,6	19	22	14,1	19 000	34 000	7206ATAP4 7206ATAP2	0,190 0,190																																																																																																																																																																																																																																																																																																																																																																																																																										
	62	16	1	0,6	19	22	14,1	19 000	34 000																																																																																																																																																																																																																																																																																																																																																																																																																												
	35	62	14	1	0,3	14	19,2	13,7	20 000	36 000	7007CTAP4 7007CTAP2		0,160 0,160																																																																																																																																																																																																																																																																																																																																																																																																																								
		62	14	1	0,3	14	19,2	13,7	20 000	36 000																																																																																																																																																																																																																																																																																																																																																																																																																											
62		14	1	0,3	14	19,2	13,7	20 000	36 000	7007CTBP4 7007CTBP2	0,160 0,160																																																																																																																																																																																																																																																																																																																																																																																																																										
62		14	1	0,3	14	19,2	13,7	20 000	36 000																																																																																																																																																																																																																																																																																																																																																																																																																												
62		14	1	0,3	19	18,2	13,1	18 000	32 000	7007ATAP2 7007ATBP4	0,160 0,270																																																																																																																																																																																																																																																																																																																																																																																																																										
62		14	1	0,3	19	18,2	13,1	18 000	32 000																																																																																																																																																																																																																																																																																																																																																																																																																												
72		17	1,1	0,6	16	30,4	20,2	19 000	34 000	7207CTAP4 7207CTAP2	0,270 0,270																																																																																																																																																																																																																																																																																																																																																																																																																										
72		17	1,1	0,6	16	30,4	20,2	19 000	34 000																																																																																																																																																																																																																																																																																																																																																																																																																												
72		17	1,1	0,6	16	30,4	20,2	19 000	34 000	7207CTBP4 7207CTBP2	0,270 0,270																																																																																																																																																																																																																																																																																																																																																																																																																										
72		17	1,1	0,6	16	30,4	20,2	19 000	34 000																																																																																																																																																																																																																																																																																																																																																																																																																												
72		17	1,1	0,6	21	24,5	17	16 000	28 000	7207ATAP4 7207ATAP2	0,270 0,270																																																																																																																																																																																																																																																																																																																																																																																																																										
72		17	1,1	0,6	21	24,5	17	16 000	28 000																																																																																																																																																																																																																																																																																																																																																																																																																												
40		68	15	1	0,3	15	20,6	15,9	19 000	34 000	7008CTAP4 7008CTAP2	0,190 0,190																																																																																																																																																																																																																																																																																																																																																																																																																									
		68	15	1	0,3	15	20,6	15,9	19 000	34 000																																																																																																																																																																																																																																																																																																																																																																																																																											
	68	15	1	0,3	20	19,5	15	16 000	28 000	7008ATAP4 7008ATAP2	0,190 0,190																																																																																																																																																																																																																																																																																																																																																																																																																										
	68	15	1	0,3	20	19,5	15	16 000	28 000																																																																																																																																																																																																																																																																																																																																																																																																																												
	68	15	1	0,3	20	19,5	15	16 000	28 000	7008ATBP4 7208CTAP4	0,190 0,350																																																																																																																																																																																																																																																																																																																																																																																																																										
	68	15	1	0,3	20	19,5	15	16 000	28 000																																																																																																																																																																																																																																																																																																																																																																																																																												
	80	18	1,1	0,6	17	36,3	25,2	17 000	30 000	7208CTAP2 7208CTAP2	0,350 0,350																																																																																																																																																																																																																																																																																																																																																																																																																										
	80	18	1,1	0,6	17	36,3	25,2	17 000	30 000																																																																																																																																																																																																																																																																																																																																																																																																																												
	80	18	1,1	0,6	17	36,3	25,2	17 000	30 000	7208CTBP4 7208CTBP2	0,350 0,350																																																																																																																																																																																																																																																																																																																																																																																																																										
	80	18	1,1	0,6	17	36,3	25,2	17 000	30 000																																																																																																																																																																																																																																																																																																																																																																																																																												
	80	18	1,1	0,6	23	35,2	24,4	15 000	26 000	7208ATAP4 7208ATAP2	0,350 0,350																																																																																																																																																																																																																																																																																																																																																																																																																										
	80	18	1,1	0,6	23	35,2	24,4	15 000	26 000																																																																																																																																																																																																																																																																																																																																																																																																																												
	80	18	1,1	0,6	23	35,2	24,4	15 000	26 000	7208ATBP4 7208ATBP4	0,350 0,350																																																																																																																																																																																																																																																																																																																																																																																																																										
	80	18	1,1	0,6	23	35,2	24,4	15 000	26 000																																																																																																																																																																																																																																																																																																																																																																																																																												
45	75	16	1	0,3	16	24,4	19,3	16 000	28 000	7009CTAP4 7009CTAP2 7009ATAP4	0,250 0,250 0,250																																																																																																																																																																																																																																																																																																																																																																																																																										
	75	16	1	0,3	16	24,4	19,3	15 000	28 000																																																																																																																																																																																																																																																																																																																																																																																																																												
	75	16	1	0,3	22	22	17,3	15 000	26 000																																																																																																																																																																																																																																																																																																																																																																																																																												

High precision angular contact ball bearings, single row



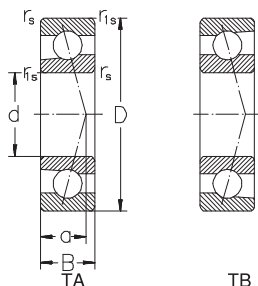
Dimensions						Basic radial load		Speed limit		Designation	Weight	
d	D	B	r _s min.	r _{1s} min.	a	dyn. C _r	stat. C _{0r}	grease	oil			
mm						kN		min ⁻¹		kg		
45	75	16	1	0,3	22	22	17,3	15 000	26 000	7009ATAP2	0,250	
	85	19	1,1	0,6	18	40	29	15 000	26 000	7209CTAP4	0,400	
	85	19	1,1	0,6	18	40	29	15 000	26 000	7209CTAP2	0,400	
	85	19	1,1	0,6	25	36,8	27,5	13 000	22 000	7209ATAP4	0,400	
	85	19	1,1	0,6	25	36,8	27,5	13 000	22 000	7209ATAP2	0,400	
	85	19	1,1	0,6	25	36,8	27,5	13 000	22 000	7209ATBP4	0,400	
50	80	16	1	0,3	17	25,1	20,7	15 000	26 000	7010CTAP4	0,260	
	80	16	1	0,3	17	25,1	20,7	15 000	26 000	7010CTAP2	0,260	
	80	16	1	0,3	23	23,2	20	13 000	22 000	7010ATAP4	0,260	
	80	16	1	0,3	23	23,2	20	13 000	22 000	7010ATAP2	0,260	
	90	20	1,1	0,6	20	42,8	31,7	14 000	24 000	7210CTAP4	0,450	
	90	20	1,1	0,6	20	42,8	31,7	14 000	24 000	7210CTAP2	0,450	
	90	20	1,1	0,6	27	42	31	12 000	20 000	7210ATAP4	0,450	
	90	20	1,1	0,6	27	42	31	12 000	20 000	7210ATAP2	0,450	
	90	20	1,1	0,6	27	42	31	12 000	20 000	7210ATBP4	0,450	
	90	20	1,1	0,6	27	42	31	12 000	20 000	7210ATBP2	0,450	
	55	90	18	1,1	0,6	19	34,1	28,6	13 000	22 000	7011CTAP4	0,390
		90	18	1,1	0,6	19	34,1	28,6	13 000	22 000	7011CTAP2	0,390
90		18	1,1	0,6	19	34,1	28,6	13 000	22 000	7011CTBP4	0,390	
90		18	1,1	0,6	26	32,3	27,1	12 000	20 000	7011ATAP4	0,390	
90		18	1,1	0,6	26	32,3	27,1	12 000	20 000	7011ATAP2	0,390	
100		21	1,5	1	21	53	40	12 000	20 000	7211CTAP4	0,600	
100		21	1,5	1	21	53	40	12 000	20 000	7211CTAP2	0,600	
100		21	1,5	1	29	50,6	38,3	11 000	19 000	7211ATAP4	0,600	
100		21	1,5	1	29	50,6	38,3	11 000	19 000	7211ATAP2	0,600	
100		21	1,5	1	29	50,6	38,3	11 000	19 000	7211ATBP4	0,600	
100		21	1,5	1	29	50,6	38,3	11 000	19 000	7211ATBP2	0,600	
60		95	18	1,1	0,6	20	35	30,5	12 000	20 000	7012CTAP4	0,420
	95	18	1,1	0,6	20	35	30,5	12 000	20 000	7012CTAP2	0,420	
	95	18	1,1	0,6	20	35	30,5	12 000	20 000	7012CTBP2	0,420	
	95	18	1,1	0,6	27	33,2	29,1	11 000	19 000	7012ATAP4	0,420	
	95	18	1,1	0,6	27	33,2	29,1	11 000	19 000	7012ATAP2	0,420	
	110	22	1,5	1	23	64,2	49	11 000	19 000	7212CTAP4	0,770	
	110	22	1,5	1	23	64	49	11 000	19 000	7212CTAP2	0,770	
	110	22	1,5	1	31	61	47,5	9 500	17 000	7212ATAP4	0,770	
	110	22	1,5	1	31	61	47,5	9 500	17 000	7212ATAP2	0,770	
	110	22	1,5	1	31	61	47,5	9 500	17 000	7212ATBP4	0,770	
	110	22	1,5	1	31	61	47,5	9 500	17 000	7212ATBP2	0,770	
	65	100	18	1,1	0,6	20	36	32,5	12 000	20 000	7013CTAP4	0,460
100		18	1,1	0,6	20	36	32,5	12 000	20 000	7013CTAP2	0,460	
100		18	1,1	0,6	28	34	31	10 000	18 000	7013AMBPA	0,460	

High precision angular contact ball bearings, single row



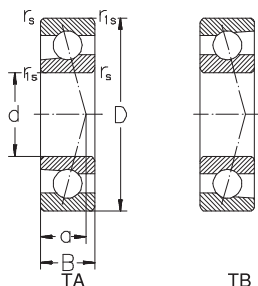
Dimensions						Basic radial load		Speed limit		Designation	Weight	
d	D	B	r_s min.	r_{1s} min.	a	dyn. C_r	stat. C_{0r}	grease	oil			kg
mm						kN		min^{-1}		-		
65	100	18	1,1	0,6	28	34	31	10 000	18 000	7013ATAP4	0,460	
	100	18	1,1	0,6	28	34	31	10 000	18 000	7013ATAP2	0,460	
	100	18	1,1	0,6	28	34	31	10 000	18 000	7013ATBP4	0,460	
	120	23	1,5	1	24	72	57	10 000	18 000	7213CTAP4	0,970	
	120	23	1,5	1	24	72	57	10 000	18 000	7213CTAP2	0,970	
	120	23	1,5	1	33	69,5	54	9 000	16 000	7213ATAP4	0,970	
	120	23	1,5	1	33	69,5	54	9 000	16 000	7213ATAP2	0,970	
	120	23	1,5	1	33	69,5	54	9 000	16 000	7213ATBP4	0,970	
	120	23	1,5	1	33	69,5	54	9 000	16 000	7213ATBP2	0,970	
	70	110	20	1,1	0,6	22	45,3	40,8	10 000	18 000	7014CTAP4	0,640
		110	20	1,1	0,6	22	45,3	40,8	10 000	18 000	7014CTAP2	0,640
		110	20	1,1	0,6	22	45,3	40,8	10 000	18 000	7014CTBP4	0,640
110		20	1,1	0,6	31	43	34	9 000	16 000	7014ATAP4	0,640	
110		20	1,1	0,6	31	43	34	9 000	16 000	7014ATAP2	0,640	
125		24	1,5	1	25	76	60,2	9 500	17 000	7214CTAP4	1,053	
125		24	1,5	1	25	76	60,2	9 500	17 000	7214CTAP2	1,053	
125		24	1,5	1	35	78	57	8 500	15 000	7214ATAP4	1,053	
125		24	1,5	1	35	78	57	8 500	15 000	7214ATAP2	1,053	
125		24	1,5	1	35	78	57	8 500	15 000	7214ATBP4	1,053	
125		24	1,5	1	35	78	57	8 500	15 000	7214ATBP2	1,053	
75		115	20	1,1	0,6	23	46,5	43,5	10 000	18 000	7015CTAP4	0,680
	115	20	1,1	0,6	23	46,5	43,5	10 000	18 000	7015CTAP2	0,680	
	115	20	1,1	0,6	32	44	41,2	8 500	15 000	7015ATAP4	0,680	
	115	20	1,1	0,6	32	44	41,2	8 500	15 000	7015ATAP2	0,680	
	115	20	1,1	0,6	32	44	41,2	8 500	15 000	7015ATBP2	0,680	
	130	25	1,5	1	26	80	65,5	9 000	16 000	7215CTAP4	1,153	
	130	25	1,5	1	26	80	65,5	9 000	16 000	7215CTAP2	1,153	
	130	25	1,5	1	37	73	60,5	8 000	14 000	7215ATAP4	1,153	
	130	25	1,5	1	37	73	60,5	8 000	14 000	7215ATAP2	1,153	
	130	25	1,5	1	37	73	60,5	8 000	14 000	7215ATBP4	1,153	
	130	25	1,5	1	37	73	60,5	8 000	14 000	7215ATBP2	1,153	
	80	125	22	1,1	0,6	25	58,6	55,2	9 000	16 000	7016CTAP4	0,890
125		22	1,1	0,6	25	58,7	55,2	9 000	16 000	7016CTAP2	0,890	
125		22	1,1	0,6	35	56	63	8 000	14 000	7016AMAP4	0,890	
125		22	1,1	0,6	35	56,2	63	8 000	14 000	7016ATAP4	0,890	
125		22	1,1	0,6	35	56	63	8 000	14 000	7016ATAP2	0,890	
140		26	2	1	28	92,6	78	7 500	13 000	7216CTAP4	1,403	
140		26	2	1	28	93,2	78	8 000	14 000	7216CTAP2	1,403	
140		26	2	1	39	86	73,5	7 000	12 000	7216ATAP4	1,403	
140		26	2	1	39	86	73,5	7 000	12 000	7216ATAP2	1,403	
140		26	2	1	39	86	73,5	7 000	12 000	7216ATBP4	1,403	
140		26	2	1	39	86	73,5	7 000	12 000	7216ATBP2	1,403	

High precision angular contact ball bearings, single row



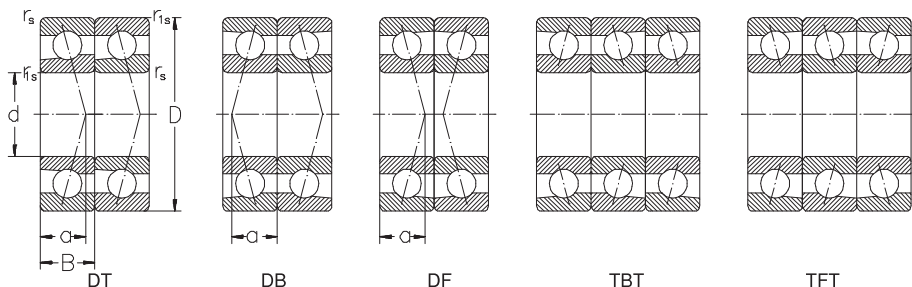
Dimensions						Basic radial load		Speed limit		Designation	Weight	
d	D	B	r _s min.	r _{1s} min.	a	dyn. C _r	stat. C _{0r}	grease	oil			
mm						kN		min ⁻¹		kg		
85	130	22	1,1	0,6	26	60,2	58,6	8 500	15 000	7017CTAP4	0,930	
	130	22	1,1	0,6	26	60,2	58,6	8 500	15 000	7017CTAP2	0,930	
	130	22	1,1	0,6	36	57	56	7 500	13 000	7017ATAP4	0,930	
	130	22	1,1	0,6	36	57	56	7 500	13 000	7017ATAP2	0,930	
	150	28	2	1	30	104	90	7 500	13 000	7217CTAP4	1,753	
	150	28	2	1	30	104	90	7 500	13 000	7217CTAP2	1,753	
	150	28	2	1	42	98	76,5	6 700	11 000	7217ATAP4	1,753	
	150	28	2	1	42	98	76,5	6 700	11 000	7217ATAP2	1,753	
	150	28	2	1	42	98	76,5	6 700	11 000	7217ATBP4	1,753	
	150	28	2	1	42	98	76,5	6 700	11 000	7217ATBP2	1,753	
	90	140	24	1,5	0,6	28	71,6	69	7 000	12 000	7018CTAP4	1,203
		140	24	1,5	0,6	28	71,7	69,1	7 500	13 000	7018CTAP2	1,203
		140	24	1,5	0,6	28	71,7	69,1	7 500	13 000	7018CTBP4	1,203
		140	24	1,5	0,6	39	68	65,5	6 700	11 000	7018ATAP4	1,203
140		24	1,5	0,6	39	68	65,5	6 700	11 000	7018ATAP2	1,203	
160		30	2	1	32	123	105	7 000	12 000	7218CTAP4	2,153	
160		30	2	1	32	123	105	7 000	12 000	7218CTAP2	2,153	
160		30	2	1	44	117	100	6 000	9 500	7218AMAP4	2,153	
160		30	2	1	44	117	100	6 000	9 500	7218ATAP4	2,153	
160		30	2	1	44	117	100	6 000	9 500	7218ATAP2	2,153	
160		30	2	1	44	117	100	6 000	9 500	7218ATBP4	2,153	
160		30	2	1	44	189	100	6 000	9 500	7218ATBP2	2,153	
95		145	24	1,5	0,6	28	73,4	73,4	8 000	14 000	7019CTAP4	1,253
		145	24	1,5	0,6	28	73,4	73,4	8 000	14 000	7019CTAP2	1,253
	145	24	1,5	0,6	40	68	66	6 300	10 000	7019ATAP4	1,253	
	145	24	1,5	0,6	40	68	66	6 300	10 000	7019ATAP2	1,253	
	170	32	2,1	1,1	34	130	115	6 300	10 000	7219CTAP4	2,653	
	170	32	2,1	1,1	34	130	115	6 300	10 000	7219CTAP2	2,653	
	170	32	2,1	1,1	47	126	110	5 600	9 000	7219ATAP4	2,653	
	170	32	2,1	1,1	47	126	110	5 600	9 000	7219ATAP2	2,653	
	170	32	2,1	1,1	47	126	110	5 600	9 000	7219ATBP4	2,653	
	170	32	2,1	1,1	47	126	110	5 600	9 000	7219ATBP2	2,653	
100	150	24	1,5	0,6	29	75,3	77,2	7 000	12 000	7020CTAP4	1,303	
	150	24	1,5	0,6	29	75,3	77,2	7 000	12 000	7020CTAP2	1,303	
	150	24	1,5	0,6	41	71,1	73	6 000	9 500	7020AMP4	1,303	
	150	24	1,5	0,6	41	71	73	6 000	9 500	7020ATAP4	1,303	
	150	24	1,5	0,6	41	71	73	6 000	9 500	7020ATAP2	1,303	
	180	34	2,1	1,1	36	148	127	6 000	9 500	7220CTAP4	3,203	
	180	34	2,1	1,1	36	150	127	6 000	9 500	7220CTAP2	3,153	
	180	34	2,1	1,1	50	142	121	5 300	8 500	7220AMAP4	3,153	
	180	34	2,1	1,1	50	142	121	5 300	8 500	7220ATAP4	3,153	
	180	34	2,1	1,1	50	142	121	5 300	8 500	7220ATAP2	3,153	
	180	34	2,1	1,1	50	142	121	5 300	8 500	7220ATBP4	3,153	

High precision angular contact ball bearings, single row



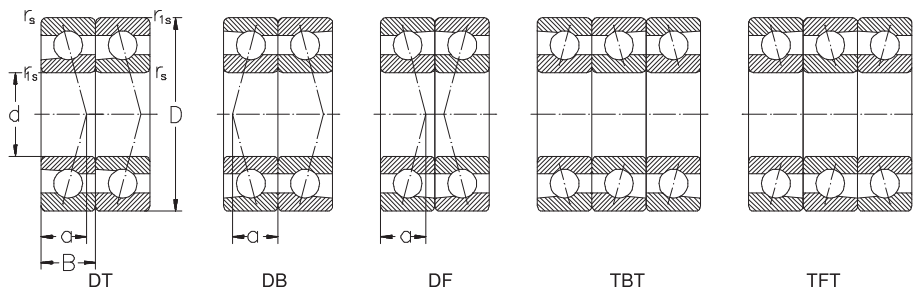
Dimensions						Basic radial load		Speed limit		Designation	Weight
d	D	B	r_s min.	r_{1s} min.	a	dyn. C_r	stat. C_{0r}	grease	oil		
mm						kN		min^{-1}		–	kg
100	180	34	2,1	1,1	50	142	121	5 300	8 000	7220ATBP2	3,153
105	160	26	2	1	31	87	89	5 600	8 500	7021CTAP4	1,663
110	170	28	2	1	47	104	104	5 300	8 000	7022ATAP4	3,203
120	180	28	2	2	34	109	111	5 000	7 500	7024CTBP4	2,083
	180	28	2	2	49	104	105	5 000	7 500	7024AMAP4	2,293
	180	28	2	2	49	104	105	5 000	7 500	7024ATAP4	2,293
130	200	33	2	1	39	145	99	6 300	8 500	7026CMAP4	3,193
	200	33	2	1	39	145	149	5 600	7 500	7026CTAP4	3,193
150	225	35	2,1	1,1	61	159	173	4 500	6 000	7030CMAP4	4,323
	225	35	2,1	1,1	61	159	173	4 500	6 000	7030CTAP4	4,323
	225	35	2,1	1,1	61	159	173	5 000	6 700	7030AMAP4	4,323

High precision angular contact ball bearings, single row, for paired and stack mounted



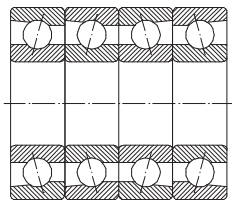
Dimensions						Basic radial load		Speed limit		Designation	Weight
d	D	B	r _s min.	r _{1s} min.	a	dyn. C _r	stat. C _{0r}	grease	oil		
mm						kN		min ⁻¹		kg	
10	26	8	0,3	0,1	6	8,6	4,9	48 000	80 000	7000CTAP4DT	0,040
	26	8	0,3	0,1	6	8,6	4,9	43 000	70 000	7000CTAP4DB	0,040
	26	8	0,3	0,1	6	8,6	4,9	43 000	70 000	7000CTAP4DF	0,040
	30	9	0,6	0,3	7	9,4	5,9	43 000	70 000	7200CTAP4DT	0,058
	30	9	0,6	0,3	7	9,4	5,9	38 000	63 000	7200CTAP4DB	0,058
	30	9	0,6	0,3	7	9,4	5,9	38 000	63 000	7200CTAP4DF	0,058
12	28	8	0,3	0,1	7	8,75	5,2	43 000	70 000	7001CTAP4DT	0,046
	28	8	0,3	0,1	7	8,75	5,2	38 000	63 000	7001CTAP4DB	0,046
	28	8	0,3	0,1	7	8,75	5,2	38 000	63 000	7001CTAP4DF	0,046
	32	10	0,6	0,3	10	12,2	6,8	38 000	63 000	7201ATAP4DT	0,060
	32	10	0,6	0,3	10	12,2	6,8	34 000	56 000	7201ATAP4DB	0,060
	32	10	0,6	0,3	10	12,2	6,8	34 000	56 000	7201ATAP4DF	0,060
15	32	9	0,3	0,1	8	10,2	6,8	36 000	60 000	7002CTAP4DT	0,060
	32	9	0,3	0,1	8	10,2	6,8	32 000	53 000	7002CTAP4DB	0,060
	32	9	0,3	0,1	8	10,2	6,8	32 000	53 000	7002CTAP4DF	0,060
	32	9	0,3	0,1	8	16,6	13,6	28 000	48 000	7002CTAP4QBC	0,120
	32	9	0,3	0,1	8	10,2	6,8	36 000	60 000	7002CTAP2DT	0,060
	32	9	0,3	0,1	8	10,2	6,8	36 000	60 000	7002CTBP4DT	0,060
	35	11	0,6	0,3	9	14,4	9	34 000	56 000	7202CTAP4DT	0,084
	35	11	0,6	0,3	9	14,4	9	30 000	50 000	7202CTAP4DB	0,084
	35	11	0,6	0,3	9	14,4	9	30 000	50 000	7202CTAP4DF	0,084
	35	11	0,6	0,3	12	14,1	8,8	30 000	50 000	7202ATAP4DT	0,048
	35	11	0,6	0,3	12	14,1	8,8	28 000	45 000	7202ATAP4DB	0,048
	35	11	0,6	0,3	12	14,1	8,8	28 000	45 000	7202ATAP4DF	0,048
17	35	10	0,3	0,1	9	11,7	8,4	32 000	53 000	7003CTAP4DT	0,078
	35	10	0,3	0,1	9	11,7	8,4	28 000	48 000	7003CTAP4DB	0,078
	35	10	0,3	0,1	9	11,7	8,4	28 000	48 000	7003CTAP4DF	0,078
	35	10	0,3	0,1	9	15,6	16,8	28 000	45 000	7003CTAP4TBT	0,117
	35	10	0,3	0,1	9	11,7	8,4	28 000	48 000	7003CTAP2DB	0,078
	40	12	0,6	0,3	10	17,7	11,6	30 000	50 000	7203CTAP4DT	0,120
	40	12	0,6	0,3	10	17,7	11,6	28 000	45 000	7203CTAP4DB	0,120
	40	12	0,6	0,3	10	17,7	11,6	28 000	45 000	7203CTAP4DF	0,120
	40	12	0,6	0,3	13	14,6	10,2	26 000	43 000	7203ATAP4DT	0,120
	40	12	0,6	0,3	13	14,6	10,2	22 000	38 000	7203ATAP4DB	0,120
	40	12	0,6	0,3	13	14,6	10,2	22 000	38 000	7203ATAP4DF	0,120
	20	42	12	0,6	0,3	10	17	12,2	28 000	45 000	7004CTAP4DT
42		12	0,6	0,3	10	17	12,2	24 000	40 000	7004CTAP4DB	0,140
42		12	0,6	0,3	10	17	12,2	24 000	40 000	7004CTAP4DF	0,140
42		12	0,6	0,3	10	27,7	24,4	22 000	36 000	7004CTAP4QBC	0,280
42		12	0,6	0,3	10	17	12,2	24 000	40 000	7004CTAP2DB	0,140

High precision angular contact ball bearings, single row, for paired and stack mounted



Dimensions						Basic radial load		Speed limit		Designation	Weight	
d	D	B	r _s min.	r _{1s} min.	a	dyn. C _r	stat. C _{0r}	grease	oil			kg
mm						kN		min ⁻¹				
20	42	12	0,6	0,3	10	17	12,2	24 000	40 000	7004CTBP4DB	0,140	
	42	12	0,6	0,3	10	17	12,2	28 000	45 000	7004CTBP2DT	0,140	
	42	12	0,6	0,3	13	16,2	11,6	24 000	40 000	7004ATAP4DT	0,140	
	42	12	0,6	0,3	13	16,2	11,6	22 000	36 000	7004ATAP4DB	0,140	
	42	12	0,6	0,3	13	16,2	11,6	22 000	36 000	7004ATAP4DF	0,140	
	47	14	1	0,6	12	25,3	18	26 000	43 000	7204CTAP4DT	0,200	
	47	14	1	0,6	12	25,3	18	22 000	38 000	7204CTAP4DB	0,200	
	47	14	1	0,6	12	25,3	18	22 000	38 000	7204CTAP4DF	0,200	
	47	14	1	0,6	12	25,3	18	26 000	43 000	7204CTBP4DT	0,200	
	47	14	1	0,6	12	25,3	18	22 000	38 000	7204CTBP4DB	0,200	
	47	14	1	0,6	12	25,3	18	22 000	38 000	7204CTBP2DF	0,200	
	47	14	1	0,6	15	24,2	17,2	22 000	38 000	7204ATAP4DT	0,200	
	47	14	1	0,6	15	24,2	17,2	20 000	34 000	7204ATAP4DB	0,200	
	47	14	1	0,6	15	24,2	17,2	20 000	34 000	7204ATAP4DF	0,200	
	25	47	12	0,6	0,3	11	17	14,8	24 000	40 000	7005CTAP4DT	0,160
		47	12	0,6	0,3	11	19	14,8	22 000	36 000	7005CTAP4DB	0,160
		47	12	0,6	0,3	11	19	14,8	22 000	36 000	7005CTAP4DF	0,160
		47	12	0,6	0,3	11	19	14,8	24 000	40 000	7005CTAP2DT	0,160
		47	12	0,6	0,3	11	19	14,8	22 000	36 000	7005CTAP2DB	0,160
		47	12	0,6	0,3	11	25,3	22,2	20 000	34 000	7005CTAP2TBT	0,240
47		12	0,6	0,3	11	19	14,8	24 000	40 000	7005CTBP2DT	0,160	
47		12	0,6	0,3	11	19	14,8	22 000	36 000	7005CTBP2DB	0,160	
47		12	0,6	0,3	15	16,9	13,9	22 000	36 000	7005ATAP4DT	0,160	
47		12	0,6	0,3	15	16,9	13,9	19 000	32 000	7005ATAP4DB	0,160	
47		12	0,6	0,3	15	16,9	13,9	19 000	32 000	7005ATAP4DF	0,160	
52		15	1	0,6	13	26,9	20,6	22 000	38 000	7205CTAP4DT	0,240	
52		15	1	0,6	13	26,9	20,6	20 000	34 000	7205CTAP4DB	0,240	
52		15	1	0,6	13	26,9	20,6	20 000	34 000	7205CTAP4DF	0,240	
52		15	1	0,6	13	43,8	41,2	18 000	30 000	7205CTAP4QBC	0,120	
52		15	1	0,6	13	26,9	20,6	22 000	38 000	7205CTAP2DT	0,240	
52		15	1	0,6	13	26,9	20,6	20 000	34 000	7205CTAP2DB	0,240	
52		15	1	0,6	13	26,9	20,6	22 000	38 000	7205CTBP4DT	0,240	
52		15	1	0,6	13	26,9	20,6	20 000	34 000	7205CTBP4DB	0,240	
52		15	1	0,6	13	26,9	20,6	20 000	34 000	7205CTBP4DF	0,240	
25	52	15	1	0,6	13	43,8	41,2	18 000	30 000	7205CTBP4QBC	0,480	
	52	15	1	0,6	17	22,2	17,6	20 000	34 000	7205ATAP4DT	0,240	
	52	15	1	0,6	17	22,2	17,6	18 000	30 000	7205ATAP4DB	0,240	
	52	15	1	0,6	17	22,2	17,6	18 000	30 000	7205ATAP4DF	0,240	
	52	15	1	0,6	17	29,6	26,4	17 000	28 000	7205ATAP4TFT	0,360	
30	55	13	1	0,3	12	24,5	20,6	22 000	36 000	7006CTAP4DT	0,240	
	55	13	1	0,3	12	24,5	20,6	19 000	32 000	7006CTAP4DB	0,240	
	55	13	1	0,3	12	24,5	20,6	19 000	32 000	7006CTAP4DF	0,240	
	55	13	1	0,3	12	32,6	30,9	18 000	30 000	7006CTAP4TBT	0,360	

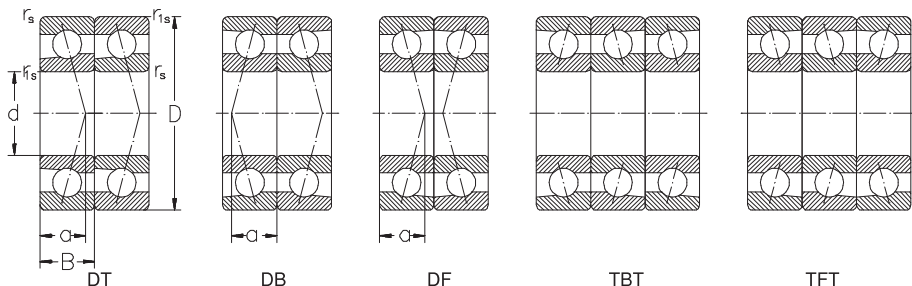
High precision angular contact ball bearings, single row, for paired and stack mounted



QBC

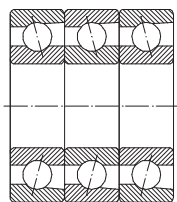
Dimensions						Basic radial load		Speed limit		Designation	Weight
d	D	B	r _s min.	r _{1s} min.	a	dyn. C _r	stat. C _{0r}	grease	oil		
mm						kN		min ⁻¹		–	kg
30	55	13	1	0,3	12	24,5	20,6	19 000	32 000	7006CTAP2DB	0,240
	55	13	1	0,3	12	24,5	20,6	22 000	36 000	7006CTBP2DT	0,240
	55	13	1	0,3	17	21,7	19	19 000	32 000	7006ATAP4DT	0,240
	55	13	1	0,3	17	21,7	19	17 000	28 000	7006ATAP4DB	0,240
	55	13	1	0,3	17	21,7	19	17 000	28 000	7006ATAP4DF	0,240
	62	16	1	0,6	14	37,3	29,6	20 000	34 000	7206CTAP4DT	0,380
	62	16	1	0,6	14	37,3	29,6	18 000	30 000	7206CTAP4DB	0,380
	62	16	1	0,6	14	37,3	29,6	18 000	30 000	7206CTAP4DF	0,380
	62	16	1	0,6	14	49,7	44,4	17 000	28 000	7206CTAP4TT	0,570
	62	16	1	0,6	14	49,7	44,4	17 000	28 000	7206CTAP4TBT	0,570
	62	16	1	0,6	14	60,7	59,2	16 000	26 000	7206CTAP4QFC	0,760
	62	16	1	0,6	14	37,3	29,6	20 000	34 000	7206CTAP2DT	0,380
62	16	1	0,6	14	37,3	29,6	18 000	30 000	7206CTAP2DB	0,380	
62	16	1	0,6	14	37,3	29,6	20 000	34 000	7206CTBP4DT	0,380	
62	16	1	0,6	14	37,3	29,6	18 000	30 000	7206CTBP4DB	0,380	
62	16	1	0,6	14	37,3	29,6	18 000	30 000	7206CTBP4DF	0,380	
62	16	1	0,6	14	49,7	44,4	17 000	28 000	7206CTBP4TT	0,570	
62	16	1	0,6	14	60,7	59,2	16 000	26 000	7206CTBP4QFC	0,760	
62	16	1	0,6	19	35,7	28,2	18 000	30 000	7206ATAP4DT	0,380	
62	16	1	0,6	19	35,7	28,2	17 000	28 000	7206ATAP4DB	0,380	
62	16	1	0,6	19	35,7	28,2	17 000	28 000	7206ATAP4DF	0,380	
35	62	14	1	0,3	14	31,1	27,4	19 000	32 000	7007CTAP4DT	0,320
	62	14	1	0,3	14	31,1	27,4	17 000	28 000	7007CTAP4DB	0,320
	62	14	1	0,3	14	31,1	27,4	17 000	28 000	7007CTAP4DF	0,320
	62	14	1	0,3	14	31,1	27,4	17 000	28 000	7007CTAP2DB	0,320
	62	14	1	0,3	14	31,1	27,4	17 000	28 000	7007CTBP4DB	0,320
	62	14	1	0,3	14	31,1	27,4	19 000	32 000	7007CTBP2DT	0,320
	62	14	1	0,3	19	29,5	26,2	17 000	28 000	7007ATAP4DT	0,320
	62	14	1	0,3	19	29,5	26,2	16 000	26 000	7007ATAP4DB	0,320
	62	14	1	0,3	19	29,5	26,2	16 000	26 000	7007ATAP4DF	0,320
	72	17	1,1	0,6	16	49,3	40,4	18 000	30 000	7207CTAP4DT	0,540
	72	17	1,1	0,6	16	49,3	40,4	17 000	28 000	7207CTAP4DB	0,540
	72	17	1,1	0,6	16	49,3	40,4	17 000	28 000	7207CTAP4DF	0,540
	72	17	1,1	0,6	16	65,7	60,6	16 000	26 000	7207CTAP4TFT	0,810
	72	17	1,1	0,6	16	80,3	80,8	14 000	24 000	7207CTAP4QFC	1,083
	72	17	1,1	0,6	16	49,3	40,4	18 000	30 000	7207CTBP4DT	0,540
	72	17	1,1	0,6	16	49,3	40,4	17 000	28 000	7207CTBP4DB	0,540
	72	17	1,1	0,6	16	49,3	40,4	17 000	28 000	7207CTBP4DF	0,540
	72	17	1,1	0,6	21	39,7	34	16 000	26 000	7207ATAP4DT	0,540
72	17	1,1	0,6	21	39,7	34	13 000	22 000	7207ATAP4DB	0,540	
72	17	1,1	0,6	21	39,7	34	13 000	22 000	7207ATAP4DF	0,540	
40	68	15	1	0,3	15	33,4	31,8	18 000	30 000	7008CTAP4DT	0,380
	68	15	1	0,3	15	33,4	31,8	17 000	28 000	7008CTAP4DB	0,380

High precision angular contact ball bearings, single row, for paired and stack mounted

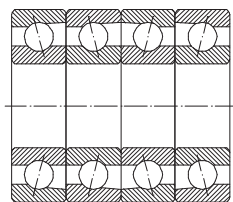


Dimensions						Basic radial load		Speed limit		Designation	Weight
d	D	B	r_s min.	r_{1s} min.	a	dyn. C_r	stat. C_{0r}	grease	oil		
mm						kN		min^{-1}		-	kg
40	68	15	1	0,3	15	33,4	31,8	17 000	28 000	7008CTAP4DF	0,380
	68	15	1	0,3	15	33,4	31,8	18 000	30 000	7008CTAP2DT	0,380
	68	15	1	0,3	15	33,4	31,8	17 000	28 000	7008CTAP2DB	0,380
	68	15	1	0,3	15	33,4	31,8	18 000	30 000	7008CTBP4DT	0,380
	68	15	1	0,3	15	33,4	31,8	17 000	28 000	7008CTBP4DB	0,380
	68	15	1	0,3	20	31,6	30	16 000	26 000	7008ATAP4DT	0,380
	68	15	1	0,3	20	31,6	30	13 000	22 000	7008ATAP4DB	0,380
	68	15	1	0,3	20	31,6	30	13 000	22 000	7008ATAP4DF	0,380
	68	15	1	0,3	20	31,6	30	13 000	22 000	7008ATBP4DB	0,380
	68	15	1	0,3	15	44,5	47,7	13 000	22 000	7008ATBP4TBT	0,570
	80	18	1,1	0,6	17	58,8	50,4	17 000	28 000	7208CTAP4DT	0,700
	80	18	1,1	0,6	17	58,8	50,4	14 000	24 000	7208CTAP4DB	0,700
	80	18	1,1	0,6	17	58,8	50,4	14 000	24 000	7208CTAP4DF	0,700
	80	18	1,1	0,6	17	58,8	50,4	17 000	28 000	7208CTBP4DT	0,700
	80	18	1,1	0,6	17	58,8	50,4	14 000	24 000	7208CTBP4DB	0,700
	80	18	1,1	0,6	17	58,8	50,4	14 000	24 000	7208CTBP4DF	0,700
	80	18	1,1	0,6	17	78,4	75,6	13 000	22 000	7208CTBP4TT	1,053
	80	18	1,1	0,6	17	95,8	101	13 000	22 000	7208CTBP4QT	1,403
	80	18	1,1	0,6	17	95,8	101	13 000	22 000	7208CTBP4QFC	1,403
	80	18	1,1	0,6	23	57	48,8	14 000	24 000	7208ATAP4DT	0,700
	80	18	1,1	0,6	23	57	48,8	12 000	20 000	7208ATAP4DB	0,700
	80	18	1,1	0,6	23	57	48,8	14 000	24 000	7208ATBP4DT	0,700
	80	18	1,1	0,6	23	57	48,8	12 000	20 000	7208ATBP4DB	0,700
	80	18	1,1	0,6	17	95,8	101	11 000	18 000	7208ATBP4QT	1,403
45	75	16	1	0,3	16	39,5	38,6	16 000	26 000	7009CTAP4DT	0,500
	75	16	1	0,3	16	39,5	38,6	13 000	22 000	7009CTAP4DB	0,500
	75	16	1	0,3	16	39,5	38,6	13 000	22 000	7009CTAP4DF	0,500
	75	16	1	0,3	16	52,7	57,9	13 000	22 000	7009CTAP4TBT	0,750
	75	16	1	0,3	16	64,5	77,2	12 000	20 000	7009CTAP4QBC	1,003
	75	16	1	0,3	16	39,5	38,6	16 000	26 000	7009CTAP2DT	0,500
	75	16	1	0,3	16	39,5	38,6	13 000	22 000	7009CTAP2DB	0,500
	75	16	1	0,3	22	35,7	34,6	14 000	24 000	7009ATAP4DT	0,500
	75	16	1	0,3	22	35,7	34,6	12 000	20 000	7009ATAP4DB	0,500
	75	16	1	0,3	22	35,7	34,6	12 000	20 000	7009ATAP4DF	0,500
	85	19	1,1	0,6	18	64,8	58	14 000	24 000	7209CTAP4DT	0,800
	85	19	1,1	0,6	18	64,8	58	12 000	20 000	7209CTAP4DB	0,800
	85	19	1,1	0,6	18	64,8	58	12 000	20 000	7209CTAP4DF	0,800
	85	19	1,1	0,6	18	64,8	58	14 000	24 000	7209CTAP2DT	0,800
	85	19	1,1	0,6	25	59,6	55	12 000	20 000	7209ATAP4DT	0,800
	85	19	1,1	0,6	25	59,6	55	11 000	18 000	7209ATAP4DB	0,800
	85	19	1,1	0,6	25	59,6	55	11 000	18 000	7209ATAP4DF	0,800
	85	19	1,1	0,6	18	64,8	58	11 000	18 000	7209CTAP2DB	0,800
	85	19	1,1	0,6	25	59,6	55	12 000	20 000	7209ATBP4DT	0,800

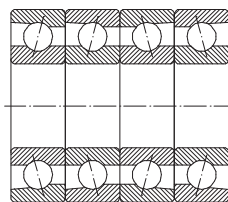
High precision angular contact ball bearings, single row, for paired and stack mounted



TT



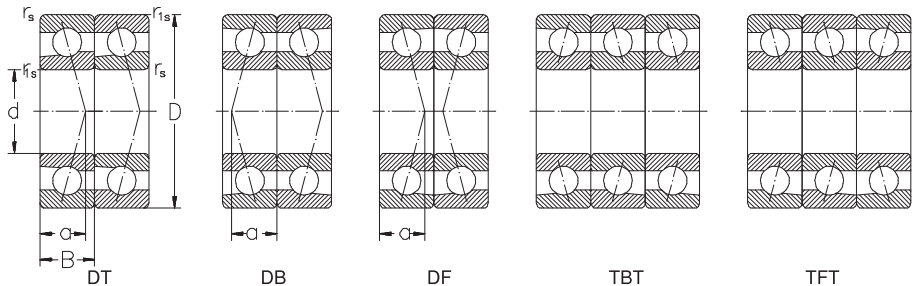
QFC



QBC

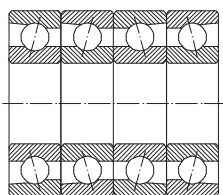
Dimensions						Basic radial load		Speed limit		Designation	Weight
d	D	B	r _s min.	r _{1s} min.	a	dyn. C _r	stat. C _{0r}	grease	oil		
mm						kN		min ⁻¹		-	kg
45	85	19	1,1	0,6	25	59,6	55	11 000	18 000	7209ATBP4DB	0,800
	85	19	1,1	0,6	25	59,6	55	11 000	18 000	7209ATBP4DF	0,800
50	80	16	1	0,3	17	40,7	41,4	14 000	24 000	7010CTAP4DT	0,520
	80	16	1	0,3	17	40,7	41,4	12 000	20 000	7010CTAP4DB	0,520
	80	16	1	0,3	17	40,7	41,4	12 000	20 000	7010CTAP4DF	0,520
	80	16	1	0,3	17	66,3	82,8	11 000	18 000	7010CTAP4QBC	1,043
	80	16	1	0,3	17	40,7	41,4	14 000	24 000	7010CTAP2DT	0,520
	80	16	1	0,3	17	40,7	41,4	12 000	20 000	7010CTAP2DB	0,520
	80	16	1	0,3	23	37,6	40	12 000	20 000	7010ATAP4DT	0,520
	80	16	1	0,3	23	37,6	40	11 000	18 000	7010ATAP4DB	0,520
	80	16	1	0,3	23	37,6	40	11 000	18 000	7010ATAP4DF	0,520
	90	20	1,1	0,6	20	69,4	63,4	13 000	22 000	7210CTAP4DT	0,900
55	90	20	1,1	0,6	20	69,4	63,4	11 000	19 000	7210CTAP4DB	0,900
	90	20	1,1	0,6	20	69,4	63,4	11 000	19 000	7210CTAP4DF	0,900
	90	20	1,1	0,6	27	68	62	11 000	18 000	7210ATAP4DT	0,900
	90	20	1,1	0,6	27	68	62	9 500	16 000	7210ATAP4DB	0,900
	90	20	1,1	0,6	27	68	62	9 500	16 000	7210ATAP4DF	0,900
	90	20	1,1	0,6	27	68	62	11 000	18 000	7210ATBP4DT	0,900
	90	20	1,1	0,6	27	68	62	9 500	16 000	7210ATBP4DB	0,900
	90	20	1,1	0,6	27	68	62	9 500	16 000	7210ATBP4DF	0,900
	90	20	1,1	0,6	27	68	62	11 000	18 000	7210ATBP2DT	0,900
	90	20	1,1	0,6	27	68	62	11 000	18 000	7210ATBP2DB	0,900
60	95	18	1,1	0,6	19	55,3	57,2	12 000	20 000	7011CTAP4DT	0,780
	95	18	1,1	0,6	19	55,3	57,2	11 000	18 000	7011CTAP4DB	0,780
	95	18	1,1	0,6	19	55,3	57,2	11 000	18 000	7011CTAP4DF	0,780
	95	18	1,1	0,6	19	73,7	85,2	10 000	17 000	7011CTAP4TT	1,173
	95	18	1,1	0,6	19	73,7	85,2	10 000	17 000	7011CTAP4TBT	1,173
	95	18	1,1	0,6	26	52,3	54,2	11 000	18 000	7011ATAP4DT	0,780
	95	18	1,1	0,6	26	52,3	54,2	9 500	16 000	7011ATAP4DB	0,780
	95	18	1,1	0,6	26	52,3	54,2	9 500	16 000	7011ATAP4DF	0,780
	100	21	1,5	1	21	85,9	80	11 000	18 000	7211CTAP4DT	1,203
	100	21	1,5	1	21	85,9	80	9 500	16 000	7211CTAP4DB	1,203
60	100	21	1,5	1	21	85,9	80	9 500	16 000	7211CTAP4DF	1,203
	100	21	1,5	1	29	82	76,6	10 000	17 000	7211ATAP4DT	1,203
	100	21	1,5	1	29	82	76,6	9 000	15 000	7211ATAP4DB	1,203
	100	21	1,5	1	29	82	76,6	9 000	15 000	7211ATAP4DF	1,203
	100	21	1,5	1	29	82	76,6	9 000	15 000	7211ATAP2DB	1,203
	100	21	1,5	1	29	82	76,6	10 000	17 000	7211ATBP4DT	1,203
	100	21	1,5	1	29	82	76,6	9 000	15 000	7211ATBP4DB	1,203
	100	21	1,5	1	29	82	76,6	9 000	15 000	7211ATBP4DF	1,203
	95	18	1,1	0,6	20	56,7	61	11 000	18 000	7012CTAP4DT	0,840
	95	18	1,1	0,6	20	56,7	61	9 500	16 000	7012CTAP4DB	0,840
95	18	1,1	0,6	20	56,7	61	9 500	16 000	7012CTAP4DF	0,840	
95	18	1,1	0,6	20	75,6	91,5	9 000	15 000	7012CTAP4TBT	1,263	

High precision angular contact ball bearings, single row, for paired and stack mounted

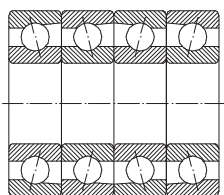


Dimensions						Basic radial load		Speed limit		Designation	Weight		
d	D	B	r _s min.	r _{1s} min.	a	dyn. C _r	stat. C _{0r}	grease	oil				
mm						kN		min ⁻¹		kg			
60	95	18	1,1	0,6	20	92,4	122	8 500	14 000	7012CTAP4QBC	1,683		
	95	18	1,1	0,6	20	56,7	61	9 500	16 000		7012CTBP2DB	0,840	
	95	18	1,1	0,6	27	53,8	58,2	10 000	17 000		7012ATAP4DT	0,840	
	95	18	1,1	0,6	27	53,8	58,2	9 000	15 000		7012ATAP4DB	0,840	
	95	18	1,1	0,6	27	53,8	58,2	9 000	15 000		7012ATAP4DF	0,840	
	95	18	1,1	0,6	27	53,8	58,2	9 000	15 000	7012ATAP2DF	0,840		
	110	22	1,5	1	23	104	98	10 000	17 000	7212CTAP4DT	1,543		
	110	22	1,5	1	23	104	98	9 000	15 000	7212CTAP4DB	1,543		
	110	22	1,5	1	23	104	98	9 000	15 000	7212CTAP4DF	1,543		
	110	22	1,5	1	23	138	147	8 500	14 000	7212CTAP4TBT	2,313		
	110	22	1,5	1	23	104	98	9 000	15 000	7212CTAP2DB	1,543		
	110	22	1,5	1	31	98,8	95	9 000	15 000	7212ATAP4DT	1,543		
	110	22	1,5	1	31	98,8	95	8 500	14 000	7212ATAP4DB	1,543		
	110	22	1,5	1	31	98,8	95	8 500	14 000	7212ATAP4DF	1,543		
	110	22	1,5	1	31	98,8	95	9 000	15 000	7212ATBP4DT	1,543		
	110	22	1,5	1	31	98,8	95	8 500	14 000	7212ATBP4DB	1,543		
	110	22	1,5	1	31	98,8	95	8 500	14 000	7212ATBP4DF	1,543		
	65	100	18	1,1	0,6	20	58,3	65	11 000	18 000	7013CTAP4DT	0,920	
		100	18	1,1	0,6	20	58,3	65	9 500	16 000		7013CTAP4DB	0,920
		100	18	1,1	0,6	20	58,3	65	9 500	16 000		7013CTAP4DF	0,920
100		18	1,1	0,6	20	77,8	97,5	9 000	15 000	7013CTAP4TBT		1,383	
100		18	1,1	0,6	20	95	130	8 500	14 000	7013CTAP4QBC		1,843	
100		18	1,1	0,6	20	77,8	97,5	9 000	15 000	7013CTAP2TBT	1,383		
100		18	1,1	0,6	28	55	62	9 500	16 000	7013AMB4DT	0,920		
100		18	1,1	0,6	28	55	62	8 500	14 000	7013ATAP4DB	0,920		
100		18	1,1	0,6	28	55	62	8 500	14 000	7013ATAP4DF	0,920		
120		23	1,5	1	24	117	114	9 500	20 000	7213CTAP4DT	1,943		
120		23	1,5	1	24	117	114	8 500	14 000	7213CTAP4DB	1,943		
120		23	1,5	1	24	117	114	9 500	16 000	7213CTAP4DF	1,943		
120		23	1,5	1	33	113	108	8 500	14 000	7213CTAP2DT	1,943		
120		23	1,5	1	33	113	108	8 500	14 000	7213ATAP4DT	1,943		
120		23	1,5	1	33	113	108	8 000	13 000	7213ATAP4DB	1,943		
120		23	1,5	1	33	113	108	8 000	13 000	7213ATAP4DF	1,943		
120	23	1,5	1	33	113	108	8 500	14 000	7213ATBP4DT	1,943			
120	23	1,5	1	33	113	108	8 000	13 000	7213ATBP4DB	1,943			
120	23	1,5	1	33	113	108	8 000	13 000	7213ATBP4DF	1,943			
70	110	20	1,1	0,6	22	73,4	81,6	9 500	16 000	7014CTAP4DT	1,283		
	110	20	1,1	0,6	22	73,4	81,6	8 500	14 000		7014CTAP4DB	1,283	
	110	20	1,1	0,6	22	73,4	81,6	8 500	14 000		7014CTAP4DF	1,283	
	110	20	1,1	0,6	31	93	102	8 500	14 000		7014CTAP4TBT	1,923	
	110	20	1,1	0,6	31	69,7	68	8 500	14 000		7014AMB4DT	1,283	
	110	20	1,1	0,6	31	114	136	6 700	11 000	7014AMB4QBC	2,563		
	110	20	1,1	0,6	31	69,7	68	8 500	14 000	7014ATAP4DT	1,283		

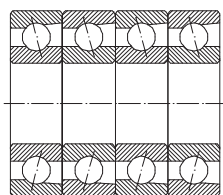
High precision angular contact ball bearings, single row, for paired and stack mounted



TT



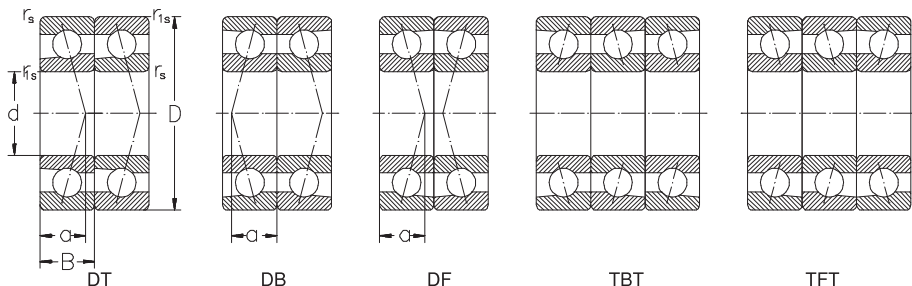
QFC



QBC

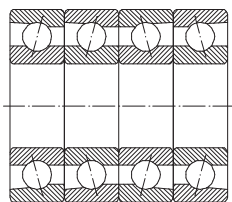
Dimensions						Basic radial load		Speed limit		Designation	Weight
d	D	B	r _s min.	r _{1s} min.	a	dyn. C _r	stat. C _{0r}	grease	oil		
mm						kN		min ⁻¹		-	kg
75	110	20	1,1	0,6	31	69,7	68	8 000	12 000	7014ATAP4DB	1,283
	110	20	1,1	0,6	31	69,7	68	8 000	13 000	7014ATAP4DF	1,283
	110	20	1,1	0,6	31	93	102	7 000	13 000	7014ATAP2TBT	1,923
	125	24	1,5	1	25	123	120	9 000	15 000	7214CTAP4DT	2,103
	125	24	1,5	1	25	123	120	8 500	14 000	7214CTAP4DB	2,103
	125	24	1,5	1	25	123	120	8 500	14 000	7214CTAP4DF	2,103
	125	24	1,5	1	25	123	120	8 500	14 000	7214CTAP2DB	2,103
	125	24	1,5	1	35	126	114	8 500	14 000	7214ATAP4DT	2,103
	125	24	1,5	1	35	126	114	7 000	12 000	7214ATAP4DB	2,103
	125	24	1,5	1	35	126	114	7 000	12 000	7214ATAP4DF	2,103
	125	24	1,5	1	35	126	114	8 500	14 000	7214ATBP4DT	2,103
	125	24	1,5	1	35	126	114	7 000	12 000	7214ATBP4DB	2,103
	125	24	1,5	1	35	126	114	7 000	12 000	7214ATBP4DF	2,103
	115	20	1,1	0,6	23	75,4	87	9 500	16 000	7015CTAP4DT	1,363
	115	20	1,1	0,6	23	75,4	87	8 500	14 000	7015CTAP4DB	1,363
	115	20	1,1	0,6	23	75,4	87	8 500	14 000	7015CTAP4DF	1,363
	115	20	1,1	0,6	32	71,3	82,4	7 000	12 000	7015AMAP4DB	1,363
	115	20	1,1	0,6	23	100	131	6 700	11 000	7015AMAP4TBT	2,043
	115	20	1,1	0,6	32	116	165	6 700	11 000	7015AMAP4QBC	2,723
	115	20	1,1	0,6	32	71,3	82,4	8 500	14 000	7015ATAP4DT	1,363
	115	20	1,1	0,6	32	71,3	82,4	7 000	11 000	7015ATAP4DB	1,363
	115	20	1,1	0,6	32	71,3	82,4	7 000	11 000	7015ATAP4DF	1,363
	115	20	1,1	0,6	32	71,3	82,4	7 000	12 000	7015ATBP2DB	1,363
	130	25	1,5	1	26	130	131	8 500	14 000	7215CTAP4DT	2,303
130	25	1,5	1	26	130	131	8 000	13 000	7215CTAP4DB	2,303	
130	25	1,5	1	26	130	131	8 000	13 000	7215CTAP4DF	2,303	
130	25	1,5	1	37	118	121	8 000	13 000	7215ATAP4DT	2,303	
130	25	1,5	1	37	118	121	6 700	11 000	7215ATAP4DB	2,303	
130	25	1,5	1	37	118	121	6 700	11 000	7215ATAP4DF	2,303	
130	25	1,5	1	37	118	121	8 000	13 000	7215ATBP4DT	2,303	
130	25	1,5	1	37	118	121	6 700	11 000	7215ATBP4DB	2,303	
130	25	1,5	1	37	118	121	6 700	11 000	7215ATBP4DF	2,303	
80	125	22	1,1	0,6	25	95	110	8 500	14 000	7016CTAP4DT	1,783
	125	22	1,1	0,6	25	95	110	8 000	13 000	7016CTAP4DB	1,783
	125	22	1,1	0,6	25	95	110	8 000	13 000	7016CTAP4DF	1,783
	125	22	1,1	0,6	35	91	126	8 000	13 000	7016AMAP4DT	1,783
	125	22	1,1	0,6	35	91	126	6 700	11 000	7016AMAP4DB	1,783
	125	22	1,1	0,6	25	155	221	6 000	10 000	7016AMAP4QBC	3,563
	125	22	1,1	0,6	35	91	126	8 000	13 000	7016ATAP4DT	1,783
	125	22	1,1	0,6	35	91	126	6 700	11 000	7016ATAP4DB	1,783
	125	22	1,1	0,6	35	91	126	6 700	11 000	7016ATAP4DF	1,783
	140	26	2	1	28	151	156	7 000	12 000	7216CTAP4DT	2,803
	140	26	2	1	28	151	156	6 000	10 000	7216CTAP4DB	2,803

High precision angular contact ball bearings, single row, for paired and stack mounted

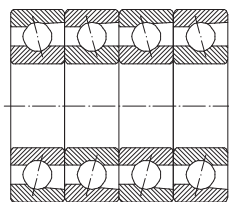


Dimensions				Basic radial load		Speed limit		Designation	Weight		
d	D	B	r_s min.	r_{1s} min.	dyn. C_r	stat. C_{0r}	grease			oil	
mm				kN		min^{-1}		kg			
80	140	26	2	1	28	151	156	6 000	10 000	7216CTAP4DF	2,803
	140	26	2	1	28	201	234	6 000	10 000	7216CTAP4TBT	4,203
	140	26	2	1	28	151	156	7 000	12 000	7216CTAP2DT	2,803
	140	26	2	1	28	151	156	6 000	10 000	7216CTAP2DB	2,803
	140	26	2	1	28	151	156	6 000	10 000	7216CTAP2DF	2,803
	140	26	2	1	28	246	312	5 300	9 000	7216CTAP2QBC	5,603
	140	26	2	1	39	139	147	6 700	11 000	7216ATAP4DT	2,803
	140	26	2	1	39	139	147	5 600	9 500	7216ATAP4DB	2,803
	140	26	2	1	39	139	147	5 600	9 500	7216ATAP4DF	2,803
	140	26	2	1	39	139	147	6 700	11 000	7216ATBP4DT	2,803
	140	26	2	1	39	139	147	5 600	9 500	7216ATBP4DB	2,803
	140	26	2	1	39	139	147	5 600	9 500	7216ATBP4DF	2,803
85	130	22	1,1	0,6	26	97,5	117	8 500	14 000	7017CTAP4DT	1,863
	130	22	1,1	0,6	26	97,5	117	7 000	12 000	7017CTAP4DB	1,863
	130	22	1,1	0,6	26	97,5	117	7 000	12 000	7017CTAP4DF	1,863
	130	22	1,1	0,6	36	92	112	7 000	12 000	7017ATAP4DT	1,863
	130	22	1,1	0,6	36	92	112	6 000	10 000	7017ATAP4DB	1,863
	130	22	1,1	0,6	36	92	112	6 000	10 000	7017ATAP4DF	1,863
	150	28	2	1	30	168	180	7 000	12 000	7217CTAP4DT	3,503
	150	28	2	1	30	168	180	6 000	10 000	7217CTAP4DB	3,503
	150	28	2	1	30	168	180	6 000	10 000	7217CTAP4DF	3,503
	150	28	2	1	42	159	153	6 000	10 000	7217ATAP4DT	3,503
	150	28	2	1	42	159	153	5 300	9 000	7217ATAP4DB	3,503
	150	28	2	1	42	159	153	5 300	9 000	7217ATAP4DF	3,503
150	28	2	1	42	159	153	6 000	10 000	7217ATBP4DT	3,503	
150	28	2	1	42	159	153	5 300	9 000	7217ATBP4DB	3,503	
150	28	2	1	42	159	153	5 300	9 000	7217ATBP4DF	3,503	
90	140	24	1,5	0,6	28	116	138	7 000	12 000	7018CMBP4DT	2,403
	140	24	1,5	0,6	28	116	138	7 000	12 000	7018CTAP4DT	2,403
	140	24	1,5	0,6	28	116	138	6 000	10 000	7018CTAP4DB	2,403
	140	24	1,5	0,6	28	116	138	6 000	10 000	7018CTAP4DF	2,403
	140	24	1,5	0,6	28	155	207	5 300	10 000	7018CTAP2TBT	3,603
	140	24	1,5	0,6	39	110	131	6 000	10 000	7018AMB4DT	2,403
	140	24	1,5	0,6	39	147	262	5 000	8 500	7018AMB4TBT	3,603
	140	24	1,5	0,6	39	180	262	4 500	7 500	7018AMB4QT	4,803
	140	24	1,5	0,6	39	110	131	6 000	10 000	7018ATAP4DT	2,403
	140	24	1,5	0,6	39	110	131	5 300	9 000	7018ATAP4DB	2,403
	140	24	1,5	0,6	39	110	131	5 300	9 000	7018ATAP4DF	2,403
	160	30	2	1	32	199	210	6 700	11 000	7218CTAP4DT	4,303
160	30	2	1	32	199	210	5 600	9 500	7218CTAP4DB	4,303	
160	30	2	1	32	199	210	5 600	9 500	7218CTAP4DF	4,303	
160	30	2	1	44	189	200	5 000	8 500	7218AMAP4DT	4,303	
160	30	2	1	44	189	200	4 500	7 500	7218AMAP4DB	4,303	

High precision angular contact ball bearings, single row, for paired and stack mounted



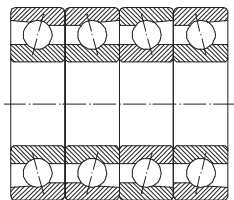
QBT



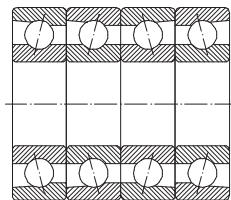
QT

Dimensions						Basic radial load		Speed limit		Designation	Weight	
d	D	B	r _s min.	r _{1s} min.	a	dyn. C _r	stat. C _{0r}	grease	oil			
mm						kN		min ⁻¹		–	kg	
90	160	30	2	1	44	189	200	4 500	7 500	7218AMAP4DF	4,303	
	160	30	2	1	44	189	200	5 000	8 500	7218ATAP4DT	4,303	
	160	30	2	1	44	189	200	4 500	7 500	7218ATAP4DB	4,303	
	160	30	2	1	44	189	200	4 500	7 500	7218ATAP4DF	4,303	
	160	30	2	1	44	189	200	5 000	8 500	7218ATBP4DT	4,303	
	160	30	2	1	44	189	200	4 500	7 500	7218ATBP4DB	4,303	
95	145	24	1,5	0,6	28	119	147	8 000	13 000	7019CTAP4DT	2,503	
	145	24	1,5	0,6	28	119	147	6 700	11 000	7019CTAP4DB	2,503	
	145	24	1,5	0,6	28	119	147	6 700	11 000	7019CTAP4DF	2,503	
	145	24	1,5	0,6	40	110	132	5 300	9 000	7019ATAP4DT	2,503	
	145	24	1,5	0,6	40	110	132	4 800	8 000	7019ATAP4DB	2,503	
	145	24	1,5	0,6	40	110	132	4 800	8 000	7019ATAP4DF	2,503	
	170	32	2,1	1,1	34	211	230	5 300	9 000	7219CTAP4DT	5,303	
	170	32	2,1	1,1	34	211	230	4 800	8 000	7219CTAP4DB	5,303	
	170	32	2,1	1,1	34	211	230	4 800	8 000	7219CTAP4DF	5,303	
	170	32	2,1	1,1	34	211	230	4 800	8 000	7219CTAP2DB	5,303	
	170	32	2,1	1,1	47	204	220	4 800	8 000	7219ATAP4DT	5,303	
	170	32	2,1	1,1	47	204	220	4 300	7 000	7219ATAP4DB	5,303	
	170	32	2,1	1,1	47	204	220	4 300	7 000	7219ATAP4DF	5,303	
	170	32	2,1	1,1	47	126	220	4 800	8 000	7219ATBP4DT	5,303	
	170	32	2,1	1,1	47	126	220	4 300	7 000	7219ATBP4DB	5,303	
	170	32	2,1	1,1	47	126	220	4 300	7 000	7219ATBP4DF	5,303	
	100	150	24	1,5	0,6	29	122	154	6 700	11 000	7020CTAP4DT	2,603
		150	24	1,5	0,6	29	122	154	5 600	9 500	7020CTAP4DB	2,603
150		24	1,5	0,6	29	122	154	5 600	9 500	7020CTAP4DF	2,603	
150		24	1,5	0,6	41	115	146	5 000	8 500	7020AMBAP4DT	2,603	
150		24	1,5	0,6	29	163	231	4 300	7 000	7020AMBAP4TBT	3,903	
150		24	1,5	0,6	41	188	292	4 000	6 700	7020AMBAP4QBT	5,203	
150		24	1,5	0,6	41	115	146	4 500	7 500	7020AMBAP2DB	2,603	
150		24	1,5	0,6	41	115	146	5 000	8 500	7020ATAP4DT	2,603	
150		24	1,5	0,6	41	115	146	4 500	7 500	7020ATAP4DB	2,603	
150		24	1,5	0,6	41	115	146	4 500	7 500	7020ATAP4DF	2,603	
180		34	2,1	1,1	36	243	254	5 000	8 500	7220CTAP4DT	6,303	
180		34	2,1	1,1	36	243	254	4 500	7 500	7220CTAP4DB	6,303	
180		34	2,1	1,1	36	243	254	4 500	7 500	7220CTAP4DF	6,303	
180		34	2,1	1,1	36	398	508	4 000	6 700	7220CTAP4QBC	12,63	
180		34	2,1	1,1	50	230	243	4 500	7 500	7220AMAP4DT	6,303	
180		34	2,1	1,1	50	230	243	4 000	6 700	7220AMAP4DB	6,303	
180		34	2,1	1,1	50	230	243	4 500	7 500	7220ATAP4DT	6,303	
180		34	2,1	1,1	50	230	243	4 000	6 700	7220ATAP4DB	6,303	
180	34	2,1	1,1	50	230	243	4 000	6 700	7220ATAP4DF	6,303		
180	34	2,1	1,1	50	230	243	4 500	7 500	7220ATBP4DT	6,303		

High precision angular contact ball bearings, single row, for paired and stack mounted



QBT



QBC

Dimensions						Basic radial load dyn. C_r	stat. C_{0r}	Speed limit		Designation	Weight
d	D	B	r_s min.	r_{1s} min.	a			grease	oil		
mm						kN		min^{-1}		–	kg
100	180	34	2,1	1,1	50	230	243	4 000	6 700	7220ATBP4DB 7220ATBP4DF	6,303
	180	34	2,1	1,1	50	230	243	4 000	6 700		6,303
105	160	26	2	1	31	143	178	4 500	7 500	7021CTAP4DB	3,323
110	170	28	2	1	47	169	208	3 800	6 300	7022ATAP4DB	6,403
120	180	28	2	2	49	169	210	3 600	6 000	7024AMAP4DB	2,293
130	200	33	2	1	39	313	298	3 800	6 300	7026CMAP4TBT 7026CTAP4DB	9,573
	200	33	2	1	39	235	298	4 000	6 700		6,383
150	225	35	2,1	1,1	61	258	346	2 800	4 500	7030AMAP4DB	8,643

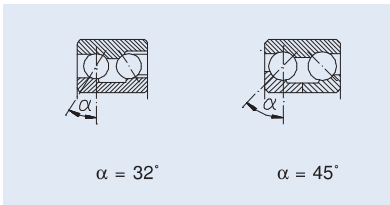
Angular contact ball bearings, double row

Double row angular contact ball bearings are, functionally, similar to two single row angular contact ball bearings in DB arrangement and they have to take axial loads acting in both directions and tilting moments.

Double row angular contact ball bearings are narrower than a pair of single row angular contact ball bearings.

Double row angular contact ball bearings can be manufactured in two versions:

- with non-separable inner ring, series 32 and 33, with a contact angle $\alpha = 32^\circ$;
- with separable inner ring, series 33D, with a contact angle $\alpha = 45^\circ$.



Double row angular contact ball bearings, series 32 and 33 have filling slots on one side. If these bearings have to take axial loads mainly in one direction, they are to be mounted so that axial loads acting upon the shaft should be directed to the filling slots.

Double row angular contact ball bearings series 33D are suitable to accommodate heavy axial loads in both directions.

Dimensions

Main bearing dimensions given in tables are in accordance with ISO/R15.

Misalignment

Angular misalignment of the outer ring, relative to the inner ring, is accommodated by force between the balls and raceway. This leads to a shortening of bearing life.

Tolerances

Double row angular contact ball bearings are generally manufactured to the normal tolerance class.

Bearing tolerances are given on page 24.

Axial clearance

Double row angular contact ball bearings series 32 and 33, with a contact angle $\alpha = 32^\circ$ are generally manufactured with normal axial clearance. They can also be manufactured with smaller or larger axial clearances.

Double row angular contact ball bearings series 33D, with a contact angle $\alpha = 45^\circ$ are generally mounted on the shaft with greater tightening than those of series 33. For this reason, the axial clearance is larger.

The values of axial clearance of the double row angular contact ball bearings are given in table 1.

Cages

Double row angular contact ball bearings series 32, 33 are fitted with machined brass cages.

Glass fibre reinforced polyamide 6.6 cages are also used with good results.

Large-sized bearings are fitted with pressed sheet cages.

Cage design and some technical data are given in table 2.

Equivalent dynamic radial load

For double row angular contact ball bearings series 32 and 33 with a contact angle $\alpha = 32^\circ$, the following equations are available:

$$P_r = F_r + 0,73 F_a, \text{ kN, for } F_a/F_r \leq 0,86$$
$$P_r = 0,62 F_r + 1,17 F_a, \text{ kN, for } F_a/F_r > 0,86$$

For double row angular contact ball bearings series 33D with a contact angle $\alpha = 45^\circ$, the following equations are used:

Axial clearance of the double row angular contact ball bearings

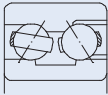
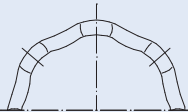

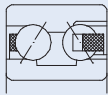
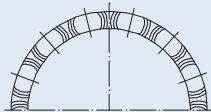
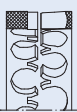
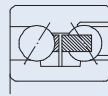
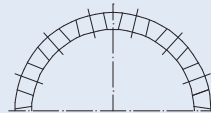
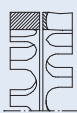
Table 1

Outer diameter d over	up to	Series 32 and 33				C3		Series 33D		C3	
		C2 min.	max.	Normal min.	max.	min.	max.	Normal min.	max.	min.	max.
mm		μm									
–	10	1	11	5	21	12	28	11	28	20	37
10	18	1	12	6	23	13	31	13	31	23	41
18	24	2	14	7	25	16	34	14	32	24	42
24	30	2	15	8	27	18	37	16	35	27	46
30	40	2	16	9	29	21	40	18	38	30	50
40	50	2	18	11	33	23	44	22	44	36	58
50	65	3	22	13	36	26	48	25	48	40	63
65	80	3	24	15	40	30	54	29	54	48	71
80	100	3	26	18	46	35	63	35	63	55	83
100	110	4	30	22	53	42	73	42	73	65	96

Radial clearance = 0,6 axial clearance

Cage design and some technical data

Table 2

Cage	Design Bearing	Cage	Application	Max. value	
				D _{mn} oil	grease
Pressed sheet cage		 	- General application - Bearing series 32, 33	450 × 10 ³	350 × 10 ³
Polyamide cage TN		 	- General application - Bearing series 32, 33	1000 × 10 ³	800 × 10 ³
Machined brass cage M		 	- General application - Bearings dimensions 3319-3322, 3305D- 3318D	800 × 10 ³	600 × 10 ³

$$P_r = F_r + 0,47 F_a, \text{ kN, for } F_a/F_r \leq 1,33,$$

$$P_r = 0,54 F_r + 0,81 F_a, \text{ kN, for } F_a/F_r > 1,33$$

$$P_{0r} = F_r + 0,63 F_a, \text{ kN}$$

For double row angular contact ball bearings with a contact angle $\alpha = 40^\circ$, the following equations are used:

For double row angular contact ball bearings series 33D with a contact angle $\alpha = 45^\circ$:

$$P_r = F_r + 0,55 F_a, \text{ kN, for } F_a/F_r \leq 1,14,$$

$$P_r = 0,57 F_r + 0,93 F_a, \text{ kN, for } F_a/F_r > 1,14.$$

$$P_{0r} = F_r + 0,46 F_a, \text{ kN}$$

For double row angular contact ball bearings with a contact angle $\alpha = 40^\circ$:

$$P_{0r} = F_r + 0,52 F_a, \text{ kN}$$

Equivalent static radial load

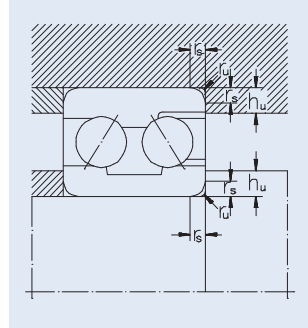
For double row angular contact ball bearings series 32 and 33 with a contact angle $\alpha = 32^\circ$:

Abutment dimensions

For a proper location of bearing rings on the shaft and housing shoulder respectively, shaft (housing) maximum radius $r_{u \max}$ should be less than bearing minimum mounting chamfer $r_{s \min}$

Shoulder height should also be properly sized in case of bearing maximum mounting chamfer.

The values of the connection radii and support shoulder height are given in table 3.

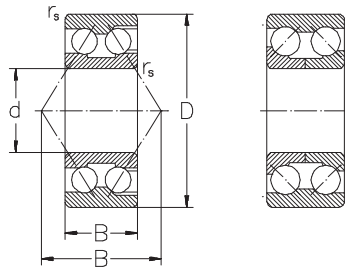


Abutment dimensions

Table 3

r_s min.	r_u max.	h_u min.
mm		Bearing series 32; 33; 33D
0,6	0,6	2,1
1	1	2,8
1,1	1,1	3,5
1,5	1,5	4,5
2	2	5,5
2,1	2,1	6
3	2,5	7

Angular contact ball bearings, double row

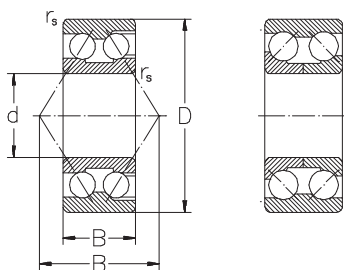


32; 33

33D

Dimensions				a	Basic radial load		Speed limit		Designation	Weight
d	D	B	r _s min.		dyn. C _r	stat. C _{0r}	grease	oil		
mm					kN	min ⁻¹		–	kg	
10	30	14,3	0,6	19	7,8	3,9	16 000	22 000	3200	0,050
12	32	15,9	0,6	22	10,6	5,1	15 000	20 000	3201	0,060
15	35	15,9	0,6	23	11,8	6,1	13 000	18 000	3202	0,070
	42	19	1	27	16,3	8,7	10 000	15 000	3302	0,130
17	40	17,5	0,6	27	14,6	7,8	10 000	15 000	3203	0,100
	47	22,2	1	31	20,8	10,6	9 500	14 000	3303	0,190
20	47	20,6	1	31	19,6	10,8	9 000	13 000	3204	0,170
	52	22,2	1,1	34	23,2	12,9	8 500	12 000	3304	0,230
	52	22,2	1,1	46	24	11	8 500	12 000	3304D	0,230
25	52	20,6	1	35	21,2	12,7	8 000	11 000	3205	0,190
	62	25,4	1,1	40	29,2	17,3	7 500	10 000	3305	0,370
	62	25,4	1,1	57	30	19	7 500	10 000	3305D	0,380
30	62	23,8	1	41	28,1	18,3	7 000	9 500	3206	0,310
	72	30,2	1,1	47	38	24,5	6 300	8 500	3306	0,580
	72	30,2	1,1	67	41,5	30	6 300	8 500	3306D	0,600
35	72	27	1,1	47	39	25	6 000	8 000	3207	0,480
	80	34,9	1,5	54	51	30	5 600	7 500	3307	0,780
	80	34,9	1,5	76	58	38	5 600	7 500	3307D	0,780
40	80	30,2	1,1	52	48	31,5	5 600	7 500	3208	0,650
	90	36,5	1,5	58	62	39	5 000	6 700	3308	1,05
	90	36,5	1,5	84	70	45	5 000	6 700	3308D	1,15
45	85	30,2	1,1	56	49	32,5	5 000	6 700	3209	0,700
	100	39,7	1,5	64	71	57	4 500	6 000	3309	1,41
	100	39,7	1,5	93	78	51	4 500	6 000	3309D	1,61
50	90	30,2	1,1	59	51	36	4 800	6 300	3210	0,740
	110	44,4	2	73	85	75	4 000	5 300	3310	1,90
	110	44,4	2	102	90	72	4 000	5 300	3310D	2,05
55	100	33,3	1,5	64	54	55	4 300	5 600	3211	1,05
	120	49,2	2	80	98	88	3 600	4 800	3311	2,48
	120	49,2	2	114	104	81,5	3600	4800	3311D	2,68
60	110	36,5	1,5	71	69,5	72	3 800	5 000	3212	1,36
	130	54	2,1	86	114	112	3 400	4 500	3312	3,17
	130	54	2,1	123	116	104	3 400	4 500	3312D	3,42
65	120	38,1	1,5	76	73,5	83	3 600	4 800	3213	1,76
	140	58,7	2,1	94	129	130	3 200	4 300	3313	4,01
	140	58,7	2,1	132	135	117	3 200	4 300	3313D	4,31

Angular contact ball bearings, double row



32; 33

33D

Dimensions					Basic radial load		Speed limit		Designation	Weight
d	D	B	r _s min.	a	dyn. C _r	stat. C _{0r}	grease	oil		
mm					kN		min ⁻¹		–	kg
70	125	39,7	1,5	81	81,5	91,5	3 200	4 300	3214 3314	1,93
	150	63,5	2,1	101	143	146	2 800	3 800		5,04
70	150	63,5	2,1	142	159	130	2 800	3 800	3314D	5,40
75	130	41,3	1,5	84	85	98	3 200	4 300	3215	2,08
	160	68,3	2,1	107	163	166	2 600	3 600	3315	6,16
	160	68,3	2,1	140	179	150	2 600	3 600	3315D	6,66
80	140	44,4	2	91	95	110	2 800	3 800	3216	2,64
	170	68,3	2,1	112	176	186	2 400	3 400	3316	6,93
	170	68,3	2,1	149	192	170	2 400	3 400	3316D	7,53
85	150	49,2	2	97	112	132	2 600	3 600	3217	3,39
	180	73	3	119	190	200	2 200	3 200	3317	8,30
	180	73	3	155	208	193	2 200	3 200	3317D	9,00
90	160	52,4	2	104	125	146	2 400	3 400	3218	4,14
	190	73	3	125	216	240	2 000	3 000	3318	9,23
	190	73	3	166	228	216	2 000	3 000	3318D	10,0
95	170	55,6	2,1	111	140	163	2 200	3 200	3219 3319	5,00
	200	77,8	3	133	220	245	1 900	2 800		11,4
100	180	60,3	2,1	118	160	196	2 000	3 000	3220 3320	6,10
	215	82,6	3	139	240	280	1 800	2 600		14,2
110	200	69,8	2,1	132	190	228	1 900	2 800	3222 3322	8,79
	240	92,1	3	153	280	400	1 800	2 600		19,0